

**PC1000s/1200s/
iR 1200s**

**PARTS
CATALOG**

REVISION 0

Canon

SEPT 2001

HY8-31A4-000

PREFACE

This Parts Catalog contains listings of parts used in the PC1000s/1200s/iR1200s. Diagrams are provided with the listings to aid the service technician in identifying clearly, the item to be ordered.

Whenever ordering parts, consult this Parts Catalog for all of the information pertaining to each item. Be sure to include, in the Parts Request, the full item description, the item part number and the quantity.

Canon Inc.

Office Imaging Products Quality Assurance Center
5-1, Hakusan 7-chome,
Toride-city, Ibaraki 302-8501, Japan

COPYRIGHT © 2001 CANON INC.

Printed in Japan
Imprimé au Japon

LIST OF SERIAL NUMBER

PC1080F
COPIER/FAX/ADF TYPE
〔 120V 60Hz F14-1431 ZTR00001- 〕

iR1230G
COPIER/PRINTER/ADF/COUNTER TYPE
〔 220/240V 50Hz F14-1488 UUP00001- 〕

PC1060
COPIER/ADF TYPE
〔 120V 60Hz F14-1432 ZTU00001- 〕

PC1061
COPIER/ADF TYPE
〔 120V 60Hz F14-1439 ZTX00001- 〕

PC1270
COPIER/PRINTER/FAX/ADF TYPE
〔 100V 50/60Hz F14-1413 LUK00001- 〕

PC1250
COPIER/FAX/ADF TYPE
〔 100V 50/60Hz F14-1411 LUL00001- 〕

PC1230
COPIER/PRINTER/ADF TYPE
〔 100V 50/60Hz F14-1415 LUM00001- 〕

PC1210
COPIER/PRINTER TYPE
〔 100V 50/60Hz F14-1417 LUP00001- 〕

PC1210D
COPIER/PRINTER TYPE
〔 220/240V 50Hz F14-1428 UUK00001- 〕

iR1210G
COPIER/PRINTER/COUNTER TYPE
〔 220/240V 50Hz F14-1458 UUL00001- 〕

PC1230D
COPIER/PRINTER/ADF TYPE
〔 220/240V 50Hz F14-1478 UUM00001- 〕

CONTENTS

- A. ASSEMBLY LOCATION DIAGRAM
 - 100. EXTERNAL COVERS, PANELS, ETC.
 - 101. INTERNAL COMPONENTS 1
 - 102. INTERNAL COMPONENTS 2
 - 103. INTERNAL COMPONENTS 3
 - 130. CONTROL PANEL ASSEMBLY
 - 160. COPYBOARD COVER ASSEMBLY
(COPYBOARD COVER TYPE)
 - 161. ADF ASSEMBLY (ADF TYPE)

 - 210. READER ASSEMBLY
 - 220. READER DRIVE ASSEMBLY
 - 240. ADF DRIVE ASSEMBLY (ADF TYPE)
 - 250. MAIN DRIVE ASSEMBLY

 - 300. CASSETTE(250 SHEET UNIVERSAL TYPE)
 - 301. CASSETTE(250 SHEET A4 TYPE)
 - 302. CASSETTE(500 SHEET LTR/LGL TYPE)
 - 320. REGISTRATION ASSEMBLY
 - 330. PAPER FEEDER ASSEMBLY

 - 460. SCANNER ASSEMBLY

 - 810. FIXING ASSEMBLY

 - 930. PCB ASSEMBLY
 - 950. IMAGE PROCESSOR PCB ASSEMBLY
- B. LIST OF CONNECTORS
- C. LIST OF STANDARD FASTENERS
- D. NUMERICAL INDEX

FIGURE A ASSEMBLY LOCATION DIAGRAM(1/2)

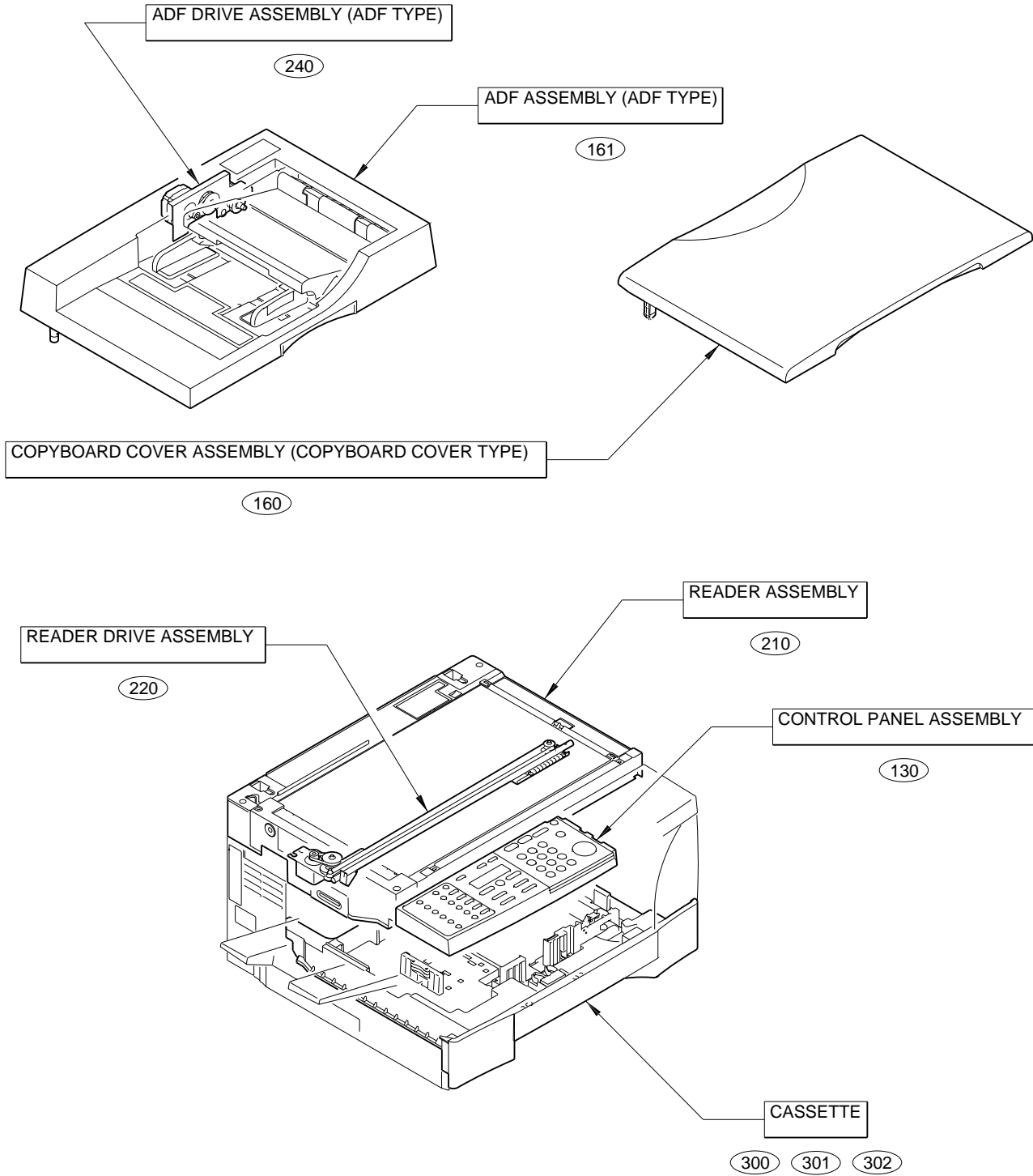


FIGURE A ASSEMBLY LOCATION DIAGRAM(2/2)

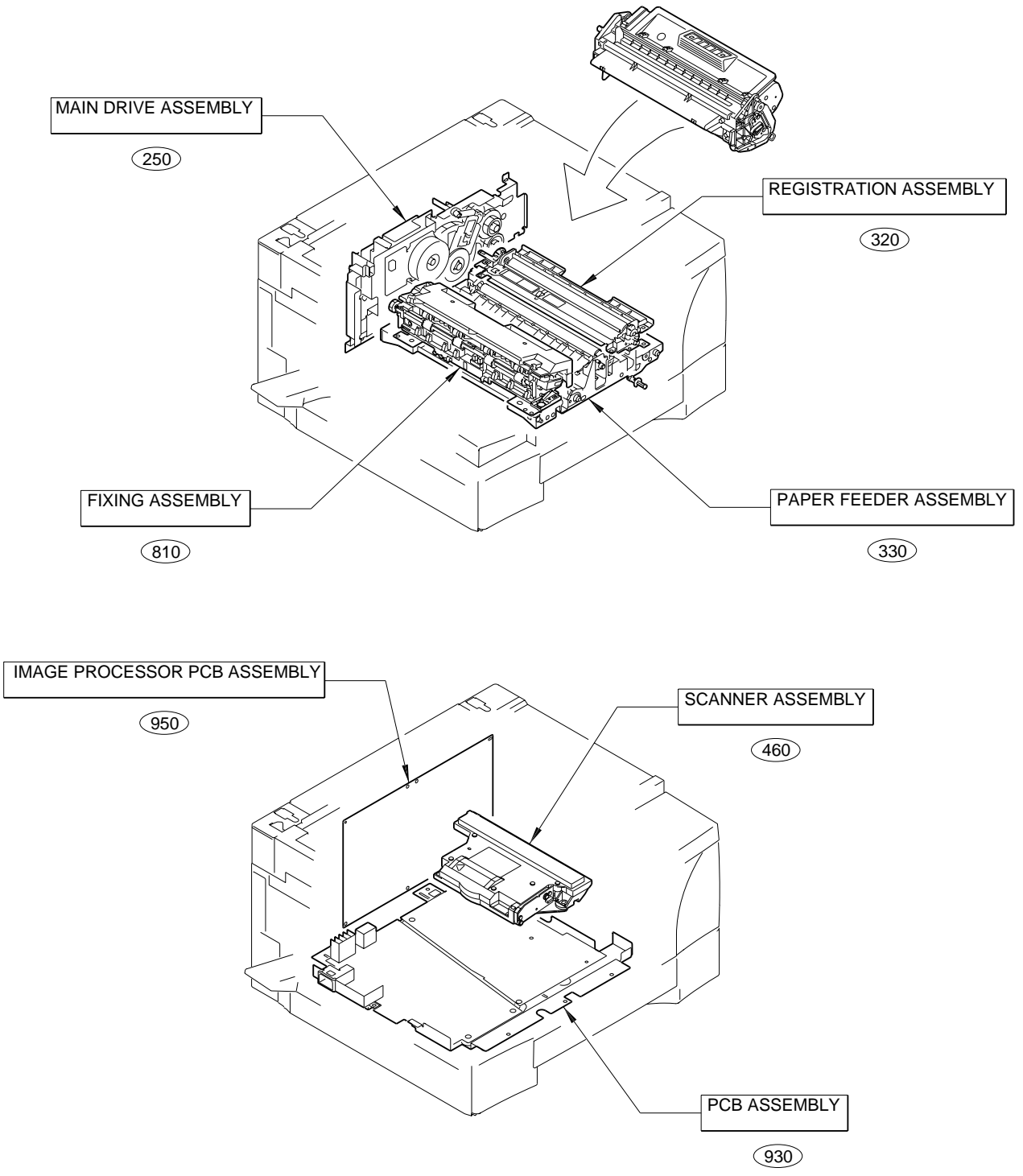


FIGURE 100 EXTERNAL COVERS, PANELS, ETC.

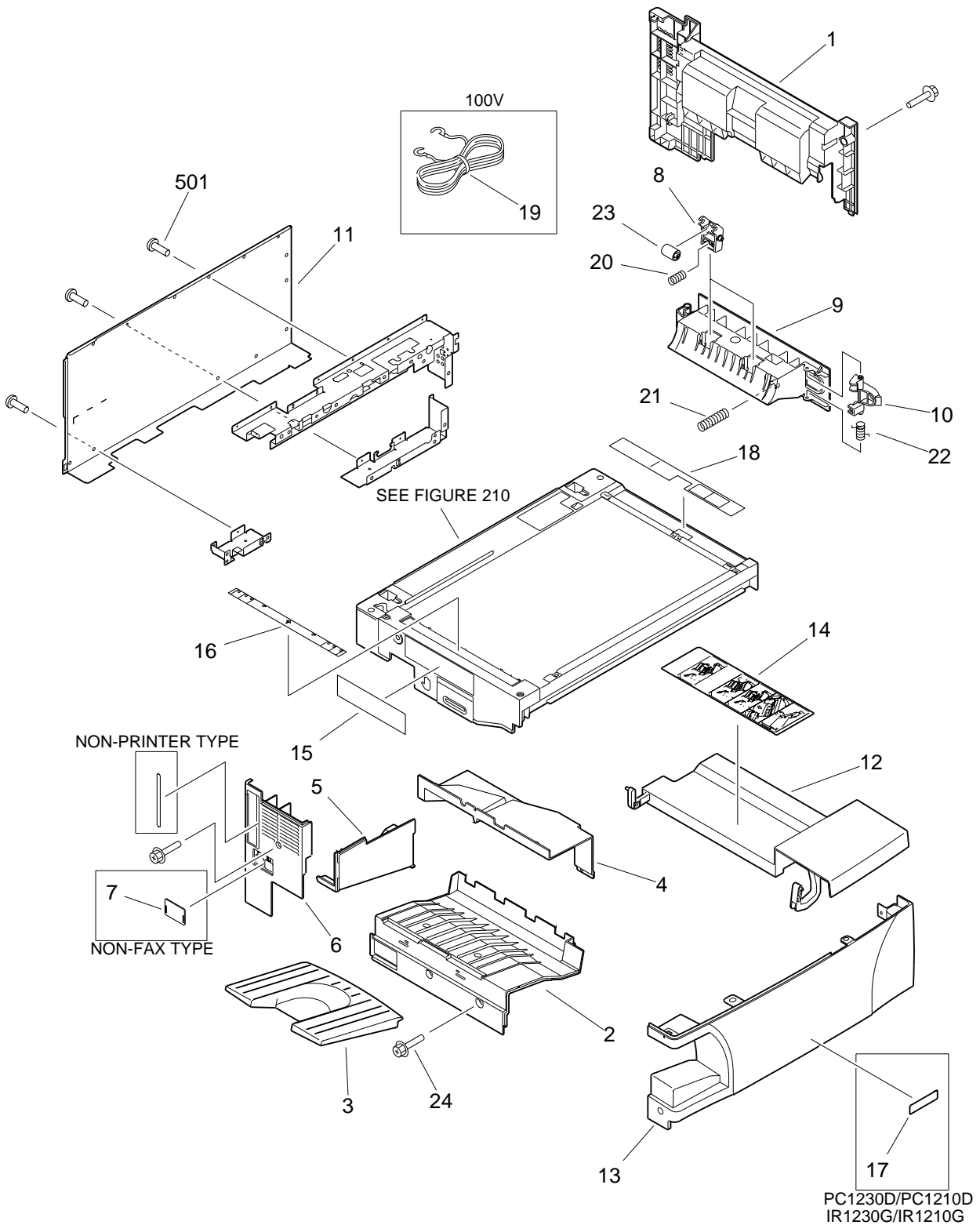


FIGURE & KEY NO.	PART NUMBER	RANK	QTY	DESCRIPTION	SERIAL NUMBER / REMARKS
100 -	NPN		RF	EXTERNAL COVERS, PANELS, ETC.	
1	FB6 - 0085 - 000		1	PANEL, RIGHT	
2	FB6 - 0123 - 000		1	PANEL, PAPER DELIVERY	
3	FB6 - 0124 - 000		1	TRAY, PAPER DELIVERY	
4	FB6 - 0125 - 000		1	PANEL, PAPER DELIVERY, UPPER	
5	FB6 - 0126 - 000		1	PANEL, PAPER DELIVERY, REAR	
6	FB6 - 0127 - 000		1	PANEL, LEFT	
7	FB6 - 0128 - 000		1	LID, MODULAR JACK	NON-FAX TYPE
8	FB6 - 0242 - 000		2	ARM, PRESSURE	
9	FB6 - 0243 - 000		1	DOOR, RIGHT	
10	FB6 - 0250 - 000		1	ARM, LOCK	
11	FB6 - 0279 - 000		1	PANEL, REAR	
12	FB6 - 0323 - 000		1	PANEL, CARTRIDGE, UPPER	
13	FB6 - 0327 - 000		1	PANEL, FRONT	PC1080F
	FB6 - 4216 - 000		1	PANEL, FRONT	PC1250
	FB6 - 4217 - 000		1	PANEL, FRONT	PC1270
	FB6 - 4218 - 000		1	PANEL, FRONT	PC1230
	FB6 - 4219 - 000		1	PANEL, FRONT	PC1210
	FB6 - 4220 - 000		1	PANEL, FRONT	PC1060
	FB6 - 4221 - 000		1	PANEL, FRONT	PC1061
14	FB6 - 4226 - 000		1	PANEL, FRONT	PC1230D/PC1210D IR1230G/IR1210G
	FB6 - 2300 - 000		1	LABEL, "CARTRIDGE REPLACING"	PC1080F/1060/1061 PC1270/1250/1230 PC1210
	FB6 - 2301 - 000		1	LABEL, "CARTRIDGE REPLACING"	PC1210D/1230D IR1210G/1230G
15	FB6 - 2303 - 000		1	LABEL, REMOVAL	PC1080F/1060/1061 PC1270/1250/1230
	FB6 - 0283 - 000		1	LABEL, REMOVAL	PC1210
16	FB6 - 2304 - 000		1	LABEL, DOCUMENT SIZE	PC1210D/1230D IR1210G/1230G JAPANESE
	FB6 - 2305 - 000		1	LABEL, DOCUMENT SIZE	EXCEPT JAPANESE
17	FB6 - 4231 - 000		1	LABEL, MODEL NAME	IR1230G

FIGURE & KEY NO.	PART NUMBER	RANK	QTY	DESCRIPTION	SERIAL NUMBER / REMARKS
100 - 17	FB6 - 4232 - 000		1	LABEL, MODEL NAME	PC1230D
	FB6 - 4233 - 000		1	LABEL, MODEL NAME	IR1210G
	FB6 - 4234 - 000		1	LABEL, MODEL NAME	PC1210D
	18	FB6 - 2306 - 000		1	LABEL, READER SLIDE
	FB6 - 2307 - 000		1	LABEL, READER SLIDE	PC1210D/1230D IR1210G/1230G
19	FH2 - 5288 - 000		1	WIRE, GROUNDING	100V
20	FS7 - 2691 - 000		2	SPRING, COMPRESSION	
21	FS7 - 2692 - 000		1	SPRING, COMPRESSION	
22	FS7 - 2693 - 000		1	SPRING, TORSION	
23	RB2 - 3046 - 000		2	ROLLER	
24	XA9 - 0931 - 000		AR	SCREW, RS, M3X12	
501	XB6 - 7300 - 807		AR	SCREW, TP, M3X8	

FIGURE 101 INTERNAL COMPONENTS 1

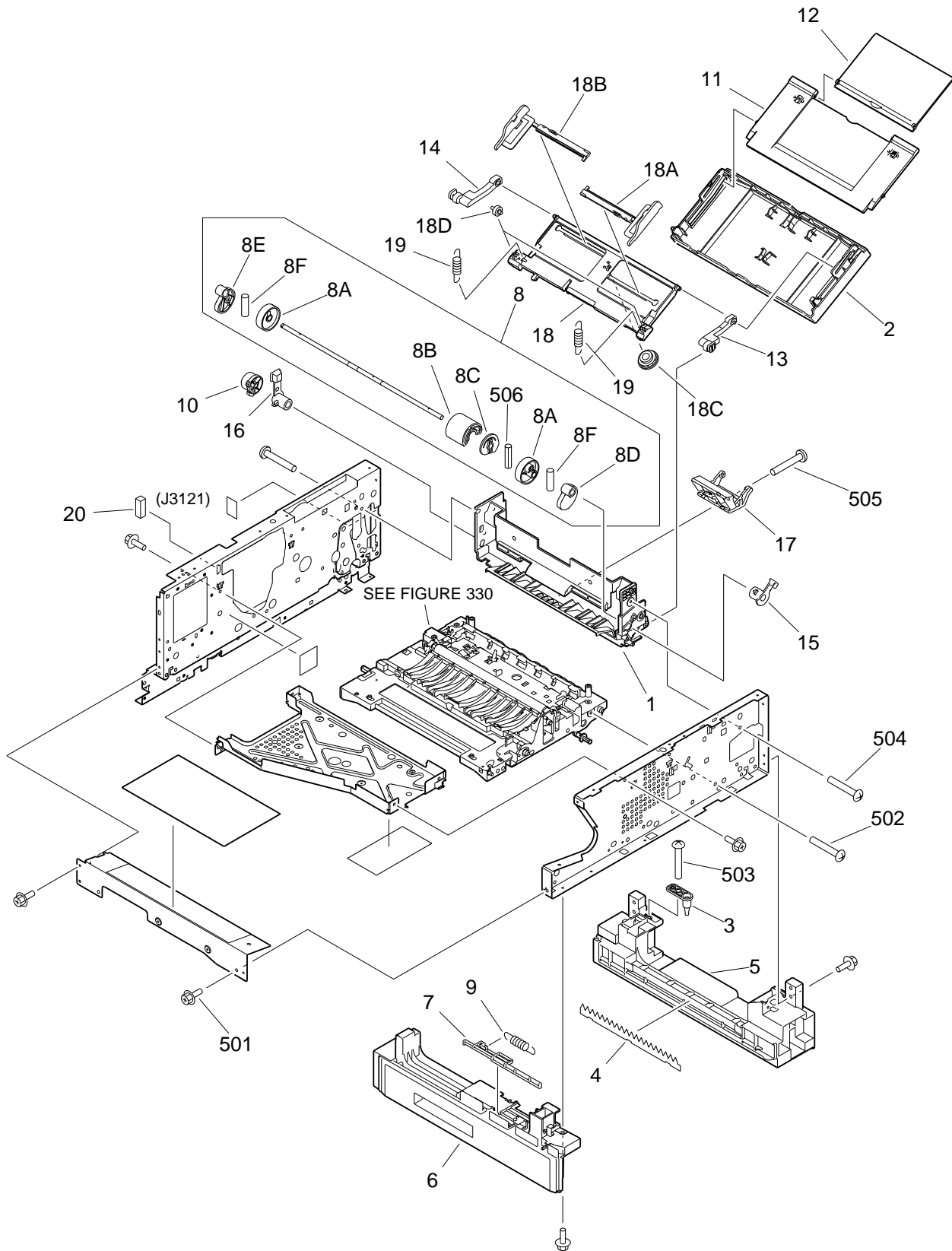


FIGURE & KEY NO.	PART NUMBER	RANK	QTY	DESCRIPTION	SERIAL NUMBER / REMARKS
101 -	NPN		RF	INTERNAL COMPONENTS 1	
1	FB6 - 0074 - 000		1	FRAME, MULTI FEED	
2	FB6 - 0249 - 000		1	PANEL, MULTI PICK-UP	
3	FB6 - 0251 - 000		1	PIN, HINGE	
4	FB6 - 0265 - 000		1	SHEET, NOISE PREVENTION	
5	FB6 - 0268 - 000		1	RAIL, CASSETTE, RIGHT	
6	FB6 - 0269 - 000		1	RAIL, CASSETTE, LEFT	
7	FB6 - 0291 - 000		1	LEVER, CASSETTE SENSOR	
8	FG6 - 7953 - 000		1	MP PICK-UP ROLLER UNIT	
8 A	FB6 - 0314 - 000		2	COLLAR, MP	
8 B	RB2 - 2900 - 000		1	ROLLER, MP PICK-UP	
8 C	RB2 - 2901 - 000		1	CAM, ROLLER	
8 D	RB2 - 2902 - 000		1	CAM, MP, LEFT	
8 E	RB2 - 2903 - 000		1	CAM, MP, RIGHT	
8 F	XD9 - 0159 - 000		2	PIN, DOWEL	
9	FS7 - 2697 - 000		1	SPRING, TENSION	
10	FU3 - 0072 - 000		1	GEAR, 26T	
11	RB2 - 3036 - 000		1	TRAY, EXPANSION, 1	
12	RB2 - 3037 - 000		1	TRAY, EXPANSION, 2	
13	RB2 - 3041 - 020		1	HINGE, LEFT	
14	RB2 - 3042 - 020		1	HINGE, RIGHT	
15	RB2 - 3043 - 000		1	BUSHING, LEFT	
16	RB2 - 3044 - 000		1	BUSHING, RIGHT	
17	RF5 - 3272 - 000		1	SEPARATION PAD UNIT	
18	RG5 - 5576 - 000		1	MULTI PICK-UP TRAY UNIT	
18 A	RB2 - 2883 - 000		1	GUIDE, SLIDE, LEFT	
18 B	RB2 - 2884 - 000		1	GUIDE, SLIDE, RIGHT	
18 C	RB2 - 2885 - 000		1	GEAR, 18T	
18 D	RB2 - 3084 - 000		2	COLLAR, MP	
19	RS6 - 2030 - 000		2	SPRING, TENSION	

FIGURE & KEY NO.	PART NUMBER	RANK	QTY	DESCRIPTION	SERIAL NUMBER / REMARKS
101 - 20	VS1 - 5057 - 004		1	CONNECTOR, SNAP TIGHT	J3121
501	XB3 - 6300 - 800		21	SCREW,RS,M3X8	
502	XB4 - 5401 - 007		AR	SCREW,P,M4X10	
503	XB4 - 5401 - 007		14	SCREW,P,M4X10	
504	XB4 - 7401 - 009		4	SCREW,TAPPING,TRUSS HEAD,M4X10	
505	XB4 - 7401 - 009		AR	SCREW,TAPPING,TRUSS HEAD,M4X10	
506	XD3 - 1160 - 142		1	PIN,SPRING	

FIGURE 102 INTERNAL COMPONENTS 2

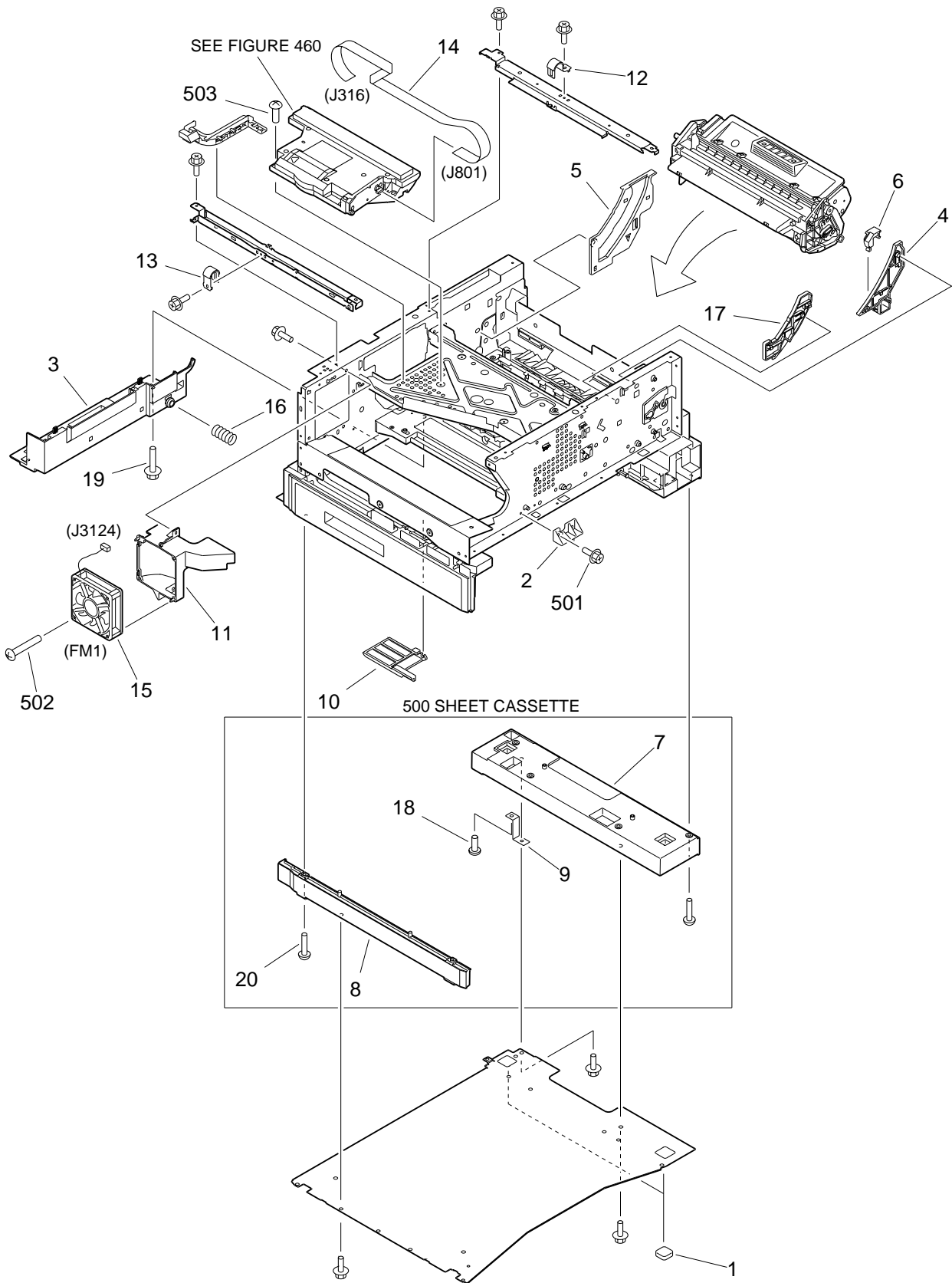


FIGURE & KEY NO.	PART NUMBER	RANK	QTY	DESCRIPTION	SERIAL NUMBER / REMARKS
102 -	NPN		RF	INTERNAL COMPONENTS 2	
1	FB2 - 5303 - 000		2	FOOT, RUBBER	
2	FB6 - 0077 - 000		1	LOCK, CASSETTE	
3	FB6 - 0086 - 000		1	PANEL, CABLE HOLDER	
4	FB6 - 0163 - 000		1	GUIDE, CARTRIDGE, FRONT	
5	FB6 - 0164 - 000		1	GUIDE, CARTRIDGE, REAR	
6	FB6 - 0165 - 000		1	RETAINER, SPRING	
7	FB6 - 0276 - 000		1	SUPPORT, RAIL, RIGHT	500 SHEET CASSETTE
8	FB6 - 0277 - 000		1	SUPPORT, RAIL, LEFT	500 SHEET CASSETTE
9	FB6 - 0278 - 000		1	PLATE, GROUNDING	500 SHEET CASSETTE
10	FB6 - 0289 - 000		1	LEVER, DETECT SENSOR, 1	250 SHEET CASSETTE
	FB6 - 0303 - 000		1	LEVER, DETECT SENSOR, 1	500 SHEET CASSETTE
11	FB6 - 0307 - 000		1	HOLDER, FAN	
12	FF6 - 1448 - 000		1	PLATE, GROUNDING	
13	FF6 - 1449 - 000		1	PLATE, GROUNDING	
14	FH2 - 6934 - 000		1	CABLE, FLAT	J316,801
15	FH6 - 1921 - 000		1	FAN	FM1 J3124
16	FS7 - 2694 - 000		1	SPRING, COMPRESSION	
17	RB2 - 2831 - 020		1	GUIDE, CARTRIDGE, LEFT	
18	XA9 - 0813 - 000		1	SCREW,RS,M3X8	
19	XA9 - 0931 - 000		AR	SCREW, RS, M3X12	
20	XA9 - 0976 - 000		6	SCREW,P,M4X16	500 SHEET CASSETTE
501	XB3 - 6300 - 800		AR	SCREW,RS,M3X8	
502	XB4 - 7403 - 509		2	SCREW,TAPPING,TRUSS HEAD,M4X35	
503	XB6 - 7300 - 807		AR	SCREW,TP,M3X8	

FIGURE 103 INTERNAL COMPONENTS 3

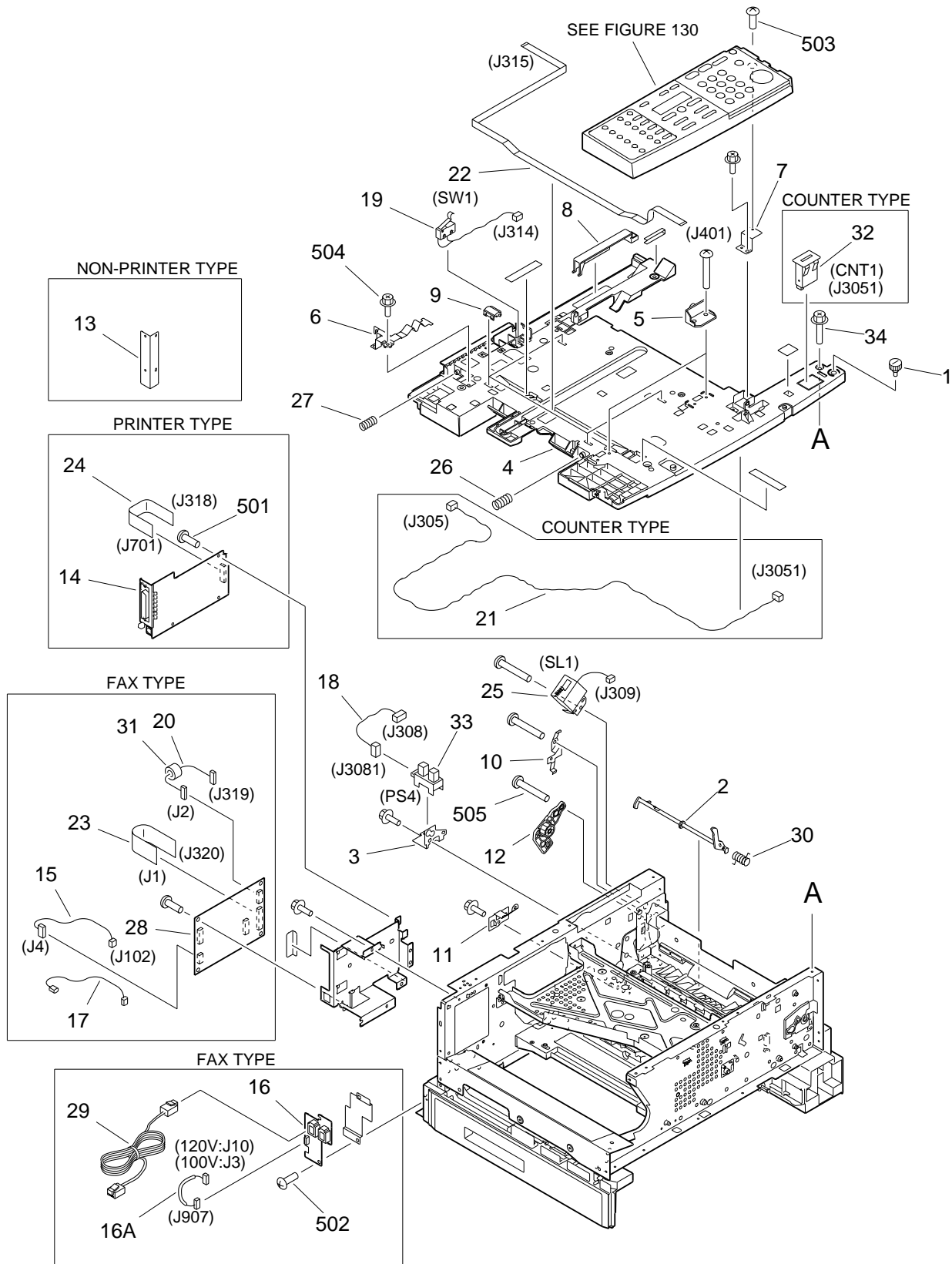


FIGURE & KEY NO.	PART NUMBER	RANK	QTY	DESCRIPTION	SERIAL NUMBER / REMARKS
103 -	NPN		RF	INTERNAL COMPONENTS 3	
1	FB2 - 5502 - 000		1	SCREW, STEPPED, M3	
2	FB6 - 0075 - 000		1	FLAG, MULTI PICK-UP SENSOR	
3	FB6 - 0076 - 000		1	SUPPORT, MULTI PICK-UP SENSOR	
4	FB6 - 0093 - 000		1	PANEL, UPPER	
5	FB6 - 0094 - 000		2	SUPPORT, READER STOP	
6	FB6 - 0101 - 000		1	PLATE, GROUNDING	
7	FB6 - 0147 - 000		1	PLATE, GROUNDING	
8	FB6 - 0179 - 000		1	COVER, DF CABLE	
9	FB6 - 0234 - 000		4	COLLAR, SWING	
10	FB6 - 0252 - 000		1	PLATE, GROUNDING	
11	FB6 - 0253 - 000		1	PLATE, GROUNDING	
12	FB6 - 0256 - 000		1	DAMPER GEAR UNIT	
13	FB6 - 0304 - 000		1	PLATE, BLANKING	NON-PRINTER TYPE
14	FG3 - 2279 - 000		1	PRINTER CONTROLLER PCB ASS'Y	PRINTER TYPE
15	FG6 - 8549 - 000		1	CABLE, VH	FAX TYPE 100V J4,102
	FG6 - 8840 - 000		1	CABLE, PSEUDO, CI	FAX TYPE 120V J4,102
16	FG6 - 8828 - 000		1	MODULAR JACK PCB ASSEMBLY	FAX TYPE 100V
	FG6 - 8829 - 000		1	MODULAR JACK PCB ASSEMBLY	FAX TYPE 120V
16 A	FG6 - 8846 - 000		1	CABLE, MODULAR JACK	FAX TYPE 100V J3,907
	FG6 - 8847 - 000		1	CABLE, MODULAR JACK	FAX TYPE 120V J10,907
17	FG6 - 8837 - 000		1	CABLE, GROUNDING	FAX TYPE 100V
18	FG6 - 8841 - 000		1	CABLE, MULTI PICK-UP	J308,3081
19	FG6 - 8842 - 000		1	CABLE, READER SWITCH	SW1 J314
20	FG6 - 8844 - 000		1	CABLE, NCU ANALOG	FAX TYPE J2,319
21	FG6 - 8845 - 000		1	CABLE, COUNTER	COUNTER TYPE J305,3051
22	FH2 - 6932 - 000		1	CABLE, FLAT	J315,401
23	FH2 - 6936 - 000		1	CABLE, FLAT	FAX TYPE J1,320
24	FH2 - 6937 - 000		1	CABLE, FLAT	PRINTER TYPE J318,701
25	FH6 - 5038 - 000		1	SOLENOID	SL1 J309

FIGURE & KEY NO.	PART NUMBER	RANK	QTY	DESCRIPTION	SERIAL NUMBER / REMARKS
103 - 26	FS7 - 2695 - 000		1	SPRING, COMPRESSION	
27	FS7 - 2696 - 000		1	SPRING, COMPRESSION	
28	HG5 - 1866 - 000		1	NCU PCB ASSEMBLY	FAX TYPE 100V
	HG1 - 4365 - 000		1	NCU PCB ASSEMBLY	FAX TYPE 120V
29	HH2 - 2824 - 000		1	CORD, MODULAR	FAX TYPE
30	RB2 - 2837 - 000		1	SPRING, TORSION	
31	WE8 - 5947 - 000		1	CORE, FERRITE	FAX TYPE
32	WG2 - 5190 - 000		1	COUNTER, ELECTROMAGNETIC	COUNTER TYPE CNT1 J3051
33	WG8 - 5309 - 000		1	PHOTO-INTERRUPTER	PS4 J3081
34	XA9 - 1164 - 000		AR	SCREW,RS,M3X6.5	
501	XB1 - 1300 - 807		2	SCREW,MACH.,PAN HEAD,M3X8	PRINTER TYPE
502	XB1 - 2300 - 607		5	SCREW,MACH.,TRUSS HEAD,M3X6	FAX TYPE
503	XB2 - 7300 - 407		1	SCREW,W/WASHER,M3X4	
504	XB3 - 6300 - 800		AR	SCREW,RS,M3X8	
505	XB4 - 7401 - 009		AR	SCREW,TAPPING,TRUSS HEAD,M4X10	

FIGURE 130 CONTROL PANEL ASSEMBLY

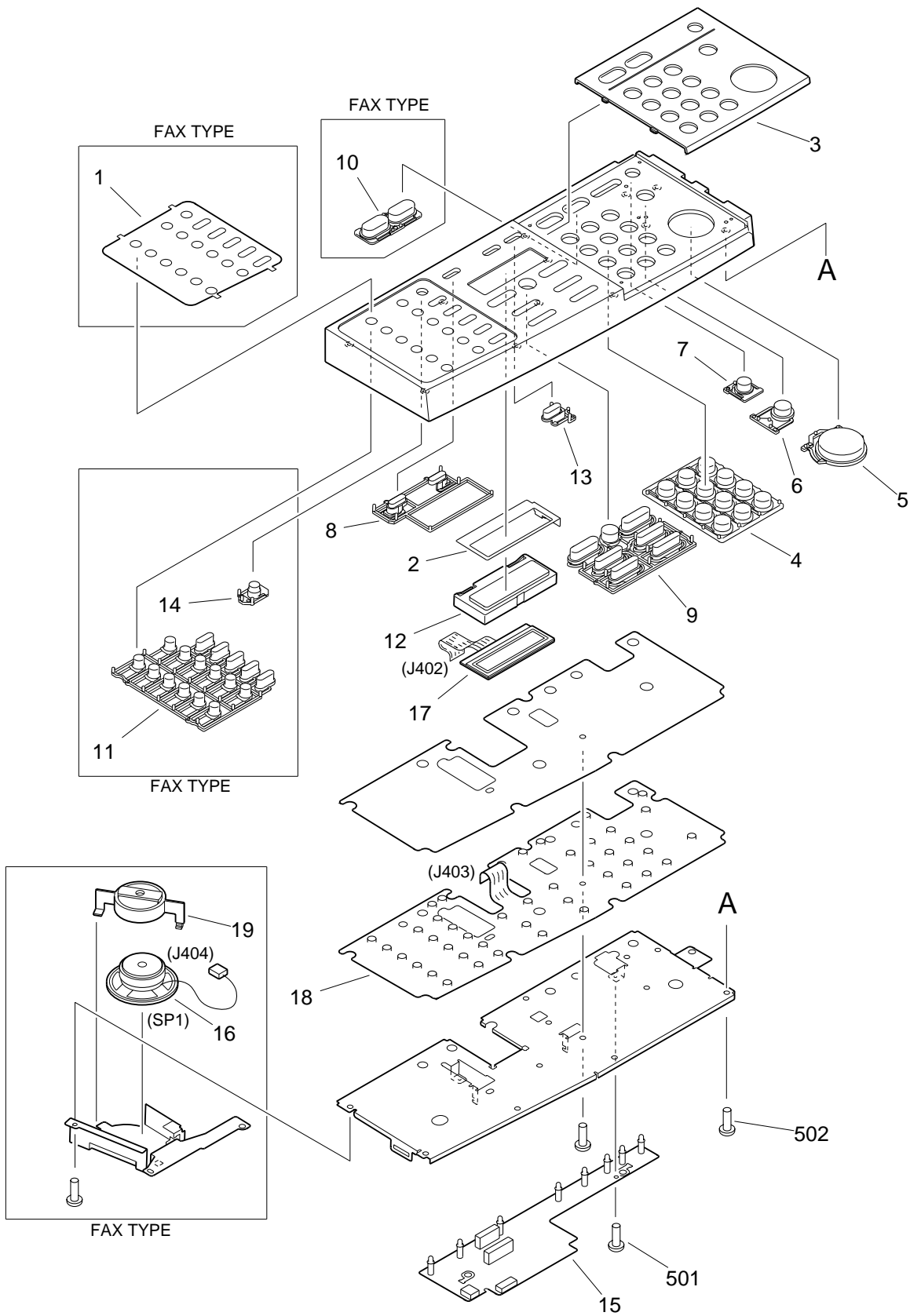


FIGURE & KEY NO.	PART NUMBER	RANK	QTY	DESCRIPTION	SERIAL NUMBER / REMARKS
130 -	FG6 - 7938 - 000		1	CONTROL PANEL ASSEMBLY	FAX TYPE PC1270/1250
	FG6 - 7958 - 000		1	CONTROL PANEL ASSEMBLY	FAX TYPE PC1080F
	FG6 - 7957 - 000		1	CONTROL PANEL ASSEMBLY	NON-FAX TYPE PC1230/1210
	FG6 - 7959 - 000		1	CONTROL PANEL ASSEMBLY	NON-FAX TYPE PC1060/1061
	FG6 - 7961 - 000		1	CONTROL PANEL ASSEMBLY	NON-FAX TYPE PC1210D/1230D
1	FB6 - 0132 - 000		1	SHEET, ONE-TOUCH	IR1210G/1230G FAX TYPE PC1270/1250
	FB6 - 2310 - 000		1	SHEET, ONE-TOUCH	FAX TYPE PC1080F
	2	FB6 - 0133 - 000	1	PLATE, GROUNDING	
	3	FB6 - 0136 - 000	1	COVER, CONTROL PANEL	FAX TYPE PC1270/1250
	FB6 - 2285 - 000		1	COVER, CONTROL PANEL	FAX TYPE PC1080F
	FB6 - 2287 - 000		1	COVER, CONTROL PANEL	NON-FAX TYPE PC1230/1210
	FB6 - 2288 - 000		1	COVER, CONTROL PANEL	NON-FAX TYPE PC1080F
	FB6 - 2289 - 000		1	COVER, CONTROL PANEL	NON-FAX TYPE PC1210D/1230D IR1210G/1230G
4	FB6 - 0137 - 000		1	KEY TOP, NUMBERS	
5	FB6 - 0138 - 000		1	KEY TOP, START	
6	FB6 - 0139 - 000		1	KEY TOP, STOP	
7	FB6 - 0140 - 000		1	KEY TOP, ESS	
8	FB6 - 0141 - 000		1	KEY TOP, USER-MODE	
9	FB6 - 0142 - 000		1	KEY TOP, OK	PC1270/1250/1230 PC1210/1210D/1230D IR1210G/1230G
	FB6 - 2325 - 000		1	KEY TOP, OK	PC1080F/1060/1061
10	FB6 - 0143 - 000		1	KEY TOP, CHANGE	FAX TYPE PC1270/1250
	FB6 - 2323 - 000		1	KEY TOP, CHANGE	FAX TYPE PC1080F
11	FB6 - 0144 - 000		1	KEY TOP, ONE-TOUCH	FAX TYPE
12	FB6 - 0145 - 000		1	CASE, LCD	
13	FB6 - 2298 - 000		1	KEY TOP, 2 IN 1	
14	FB6 - 2299 - 000		1	KEY TOP, FUNCTION	FAX TYPE
15	FG6 - 8804 - 000		1	CONTROL PANEL PCB ASSEMBLY	FAX TYPE

FIGURE & KEY NO.	PART NUMBER	RANK	QTY	DESCRIPTION	SERIAL NUMBER / REMARKS
130 - 15	FG6 - 8805 - 000		1	CONTROL PANEL PCB ASSEMBLY	NON-FAX TYPE
16	FH5 - 3221 - 000		1	SPEAKER	FAX TYPE SP1 J404
17	FH6 - 0812 - 000		1	LCD CONTROL PANEL UNIT	PC1270/1250 PC1230/1210 J402
	FH6 - 0813 - 000		1	LCD CONTROL PANEL UNIT	PC1080F/1060/1061 PC1210D/1230D
18	FH7 - 6337 - 000		1	SWITCH, MEMBRANE	IR1210G/1230G J402 J403
19	HB1 - 3023 - 000		1	HOLDER, SPEAKER	FAX TYPE
501	XB1 - 2300 - 607		2	SCREW,MACH.,TRUSS HEAD,M3X6	
502	XB4 - 5300 - 809		12	SCREW,P,M3X8	

COPYBOARD COVER ASSEMBLY (COPYBOARD COVER TYPE)

FIGURE 160

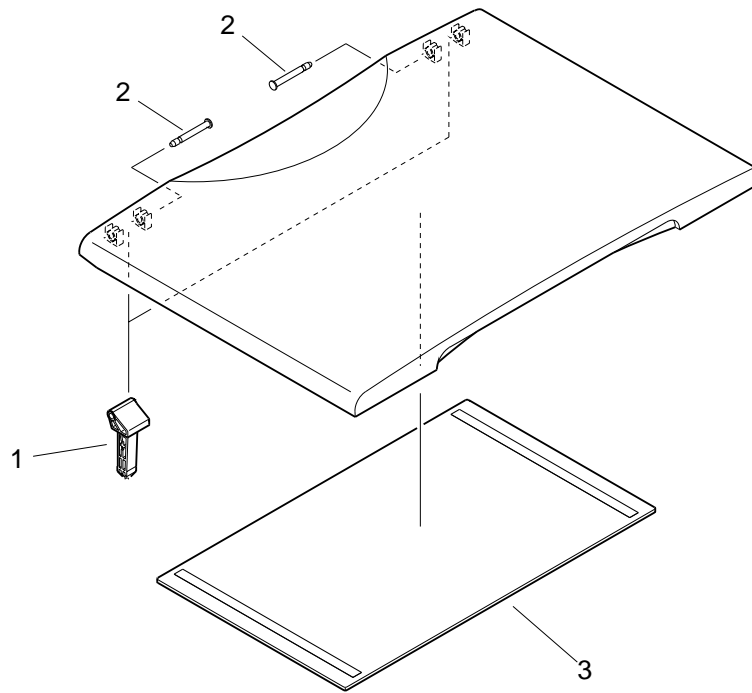


FIGURE & KEY NO.	PART NUMBER	R A N K	Q' T Y	DESCRIPTION	SERIAL NUMBER / REMARKS
160 -	FG6 - 7944 - 000		1	COPYBOARD COVER ASSEMBLY	COPYBOARD COVER TYPE
1	FB6 - 0330 - 000		2	HINGE, COPYBOARD COVER	
2	FB6 - 0332 - 000		2	SHAFT, HINGE	
3	FB6 - 4237 - 000		1	SHEET, COPYBOARD	

FIGURE 161 ADF ASSEMBLY (ADF TYPE)(1/2)

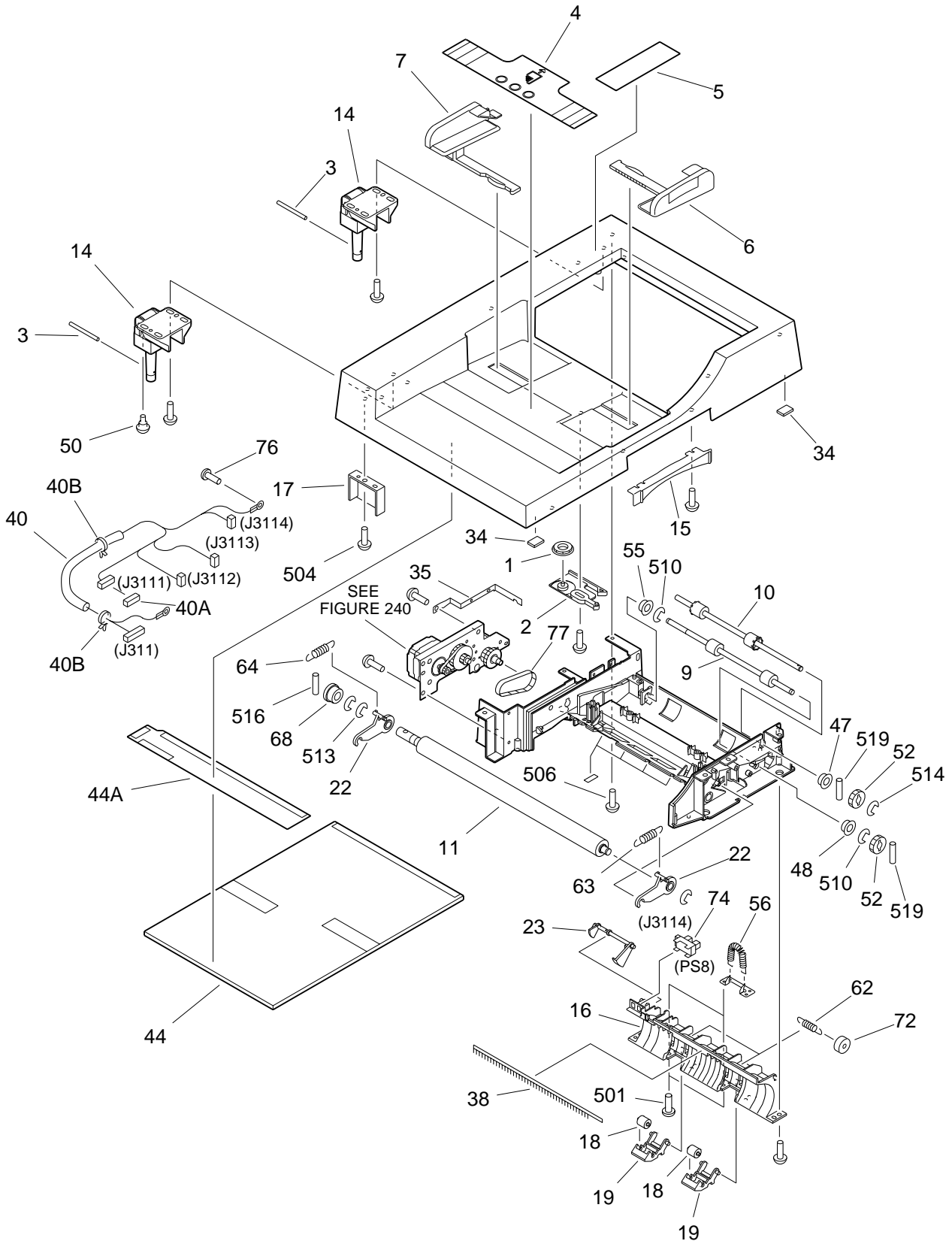


FIGURE 161 ADF ASSEMBLY (ADF TYPE)(2/2)

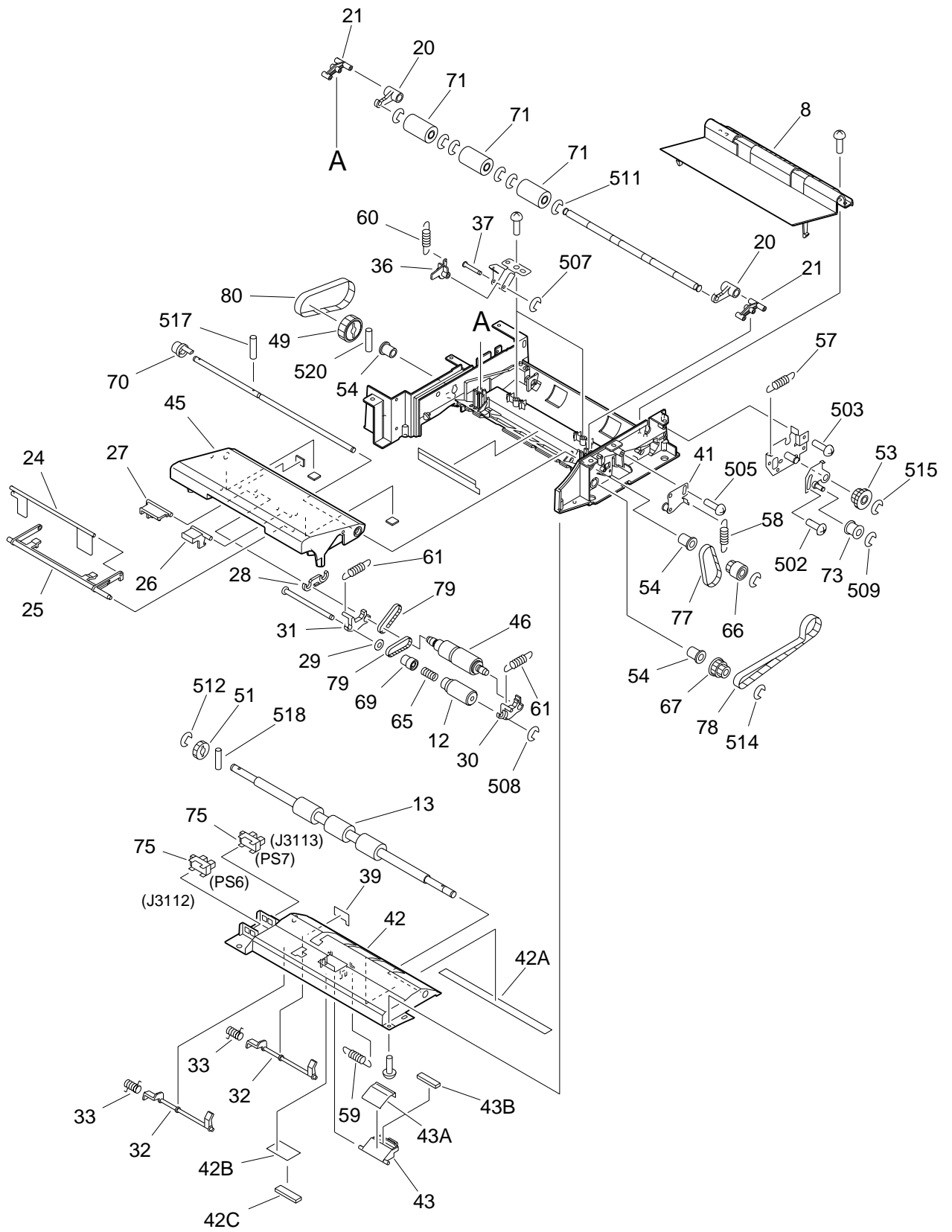


FIGURE & KEY NO.	PART NUMBER	RANK	QTY	DESCRIPTION	SERIAL NUMBER / REMARKS
161 -	NPN		RF	ADF ASSEMBLY	ADF TYPE
1	FB3 - 3395 - 000		1	GEAR, 20T	
2	FB3 - 3396 - 000		1	PLATE, SLIDE	
3	FB6 - 0187 - 000		2	PIN, FIXING, DF HINGE	
4	FB6 - 2326 - 000		1	LABEL, "PAPER SIZE"	PC1270/1250 PC1230/1210
	FB6 - 2328 - 000		1	LABEL, "PAPER SIZE"	PC1080F/1060/1061
	FB6 - 2330 - 000		1	LABEL, "PAPER SIZE"	PC1210D/1230D IR1210G/1230G
5	FB6 - 2327 - 000		1	LABEL, "COPYBOARD GLASS CLEAN"	PC1270/1250 PC1230/1210
	FB6 - 2329 - 000		1	LABEL, "COPYBOARD GLASS CLEAN"	PC1080F/1060/1061
	FB6 - 2331 - 000		1	LABEL, "COPYBOARD GLASS CLEAN"	PC1210D/1230D IR1210G/1230G
6	FC5 - 0002 - 000		1	GUIDE, SIDE, FRONT	
7	FC5 - 0003 - 000		1	GUIDE, SIDE, REAR	
8	FC5 - 0004 - 000		1	TRAY, PAPER DELIVERY	
9	FC5 - 0005 - 000		1	ROLLER, PAPER FEED	
10	FC5 - 0006 - 000		1	ROLLER, PAPER DELIVERY	
11	FC5 - 0007 - 000		1	ROLLER, WHITE	
12	FC5 - 0009 - 000		1	ROLLER, PICK-UP	
13	FC5 - 0010 - 000		1	ROLLER, REGISTRATION	
14	FC5 - 0011 - 000		2	HINGE UNIT	
15	FC5 - 0013 - 000		1	HANDLE	
16	FC5 - 0014 - 000		1	GUIDE, DELIVERY, EXTERNAL	
17	FC5 - 0018 - 000		1	HOLDER, DF DETECT SENSOR	
18	FC5 - 0019 - 000		2	COLLAR, PAPER FEED	
19	FC5 - 0020 - 000		2	HOLDER, PAPER FEED COLLAR	
20	FC5 - 0021 - 000		2	ARM, REGIST. PRESSURE RELEASE	
21	FC5 - 0022 - 000		2	LINK, REGIST. PRESSURE RELEASE	
22	FC5 - 0023 - 000		2	ARM, SWING	
23	FC5 - 0024 - 000		1	FLAG, DELIVERY SENSOR	
24	FC5 - 0025 - 000		1	SHUTTER	
25	FC5 - 0026 - 000		1	LINK, SHUTTER, 1	

FIGURE & KEY NO.	PART NUMBER	RANK	QTY	DESCRIPTION	SERIAL NUMBER / REMARKS
161 - 26	FC5 - 0027 - 000		1	LINK, SHUTTER, 2	
27	FC5 - 0028 - 000		1	LINK, SHUTTER, 3	
28	FC5 - 0029 - 000		1	ARM, ROLLER SEPARATION	
29	FC5 - 0034 - 000		1	PAD	
30	FC5 - 0035 - 000		1	ARM, PAPER PICK-UP, FRONT	
31	FC5 - 0036 - 000		1	ARM, PAPER PICK-UP, REAR	
32	FC5 - 0037 - 000		2	FLAG, PAPER PICK-UP SENSOR	
33	FC5 - 0038 - 000		2	SPRING, TORSION	
34	FC5 - 0039 - 000		3	SEAL	
35	FC5 - 0047 - 000		1	PLATE, GROUNDING	
36	FC5 - 0052 - 000		2	ARM, REGIST COLLAR PRESSURE	
37	FC5 - 0054 - 000		2	SHAFT, REGIST PRESSURE ARM	
38	FC5 - 0057 - 000		1	ELIMINATOR, STATIC CHARGE	
39	FC5 - 0066 - 000		1	SHEET, PAPER PICK-UP SENSOR	
40	FG6 - 8836 - 000		1	CABLE, ADF	J311,3111-3114
40 A	VS1 - 5057 - 006		1	CONNECTOR, SNAP TIGHT	J3111
40 B	WT2 - 5565 - 000		2	CLAMP, CABLE	
41	FL2 - 0004 - 000		1	ARM, TENSION	
42	FL2 - 0005 - 000		1	GUIDE, REGISTRATION LOWER	
42 A	FC5 - 0060 - 000		1	SHEET, REGIST. LOWER GUIDE	
42 B	FC5 - 0063 - 000		1	SHEET, PICK-UP	
42 C	FC5 - 0064 - 000		1	PAD, PICK-UP	
43	FL2 - 0006 - 000		1	PAD MOUNT UNIT	
43 A	FC5 - 0042 - 000		1	PAD, RUBBER	
43 B	FC5 - 0044 - 000		1	PAD, SPONGE	
44	FL2 - 0007 - 000		1	WHITE SHEET UNIT	
44 A	FC5 - 0061 - 000		1	SHEET, A	
45	FL2 - 0008 - 000		1	PANEL, OPEN/CLOSE	
46	FM2 - 0015 - 000		1	SEPARATION ROLLER UNIT	
47	FS1 - 1512 - 000		2	BUSHING	

FIGURE & KEY NO.	PART NUMBER	RANK	QTY	DESCRIPTION	SERIAL NUMBER / REMARKS
161 - 48	FS1 - 1569 - 000		1	BUSHING	
49	FS2 - 3511 - 000		1	PULLEY, 25T	
50	FS5 - 9740 - 000		1	SCREW, STEPPED, M4	
51	FU5 - 0001 - 000		1	GEAR, 18T	
52	FU5 - 0001 - 000		2	GEAR, 18T	
53	FU5 - 0002 - 000		1	GEAR, 30T/PULLEY 30T	
54	FU5 - 1001 - 000		3	BUSHING	
55	FU5 - 1002 - 000		1	BUSHING	
56	FU5 - 2001 - 000		2	SPRING, TENSION	
57	FU5 - 2002 - 000		1	SPRING, TENSION	
58	FU5 - 2003 - 000		1	SPRING, TENSION	
59	FU5 - 2004 - 000		1	SPRING, TENSION	
60	FU5 - 2005 - 000		2	SPRING, TENSION	
61	FU5 - 2006 - 000		2	SPRING, TENSION	
62	FU5 - 2007 - 000		2	SPRING, TENSION	
63	FU5 - 2008 - 000		1	SPRING, TENSION	
64	FU5 - 2009 - 000		1	SPRING, TENSION	
65	FU5 - 2010 - 000		1	SPRING, COMPRESSION	
66	FU5 - 3001 - 000		1	PULLEY, 18T	
67	FU5 - 3002 - 000		1	PULLEY, 18T/24T	
68	FU5 - 3003 - 000		1	PULLEY, 18T	
69	FU5 - 3006 - 000		1	PULLEY, 14T	
70	FU5 - 3007 - 000		1	PULLEY, 16T	
71	FU5 - 6001 - 000		3	COLLAR, REGISTRATION	
72	FU5 - 6002 - 000		2	COLLAR, PAPER DELIVERY	
73	FU5 - 6003 - 000		1	COLLAR, BELT IDLER	
74	WG8 - 5362 - 000		1	PHOTO-INTERRUPTER	PS8 J3114
75	WG8 - 5362 - 000		2	PHOTO-INTERRUPTER	PS6,7 J3112,3113
76	XA9 - 0265 - 000		1	SCREW, W/WASHER, TRUSS HEAD	
77	XF2 - 1605 - 240		2	BELT, TIMING	

FIGURE & KEY NO.	PART NUMBER	RANK	QTY	DESCRIPTION	SERIAL NUMBER / REMARKS
161 - 78	XF2 - 1611 - 240		1	BELT, TIMING	
79	XF9 - 0404 - 000		2	BELT, COGGED DRIVE, 71T	
80	XF9 - 0525 - 000		1	BELT, TIMING, 59T	
501	XB1 - 2300 - 606		4	SCREW,MACH.,TRUSS HEAD,M3X6	
502	XB1 - 2400 - 609		1	SCREW,MACH.,TRUSS HEAD,M4X6	
503	XB4 - 5300 - 809		2	SCREW,P,M3X8	
504	XB4 - 5401 - 006		11	SCREW,P,M4X10	
505	XB4 - 5401 - 006		12	SCREW,P,M4X10	
506	XB4 - 5401 - 006		4	SCREW,P,M4X10	
507	XD2 - 1100 - 242		2	RING,E	
508	XD2 - 1100 - 322		1	RING,E	
509	XD2 - 1100 - 402		1	RING,E	
510	XD2 - 1100 - 402		3	RING,E	
511	XD2 - 1100 - 502		6	RING,E	
512	XD2 - 1100 - 502		1	RING,E	
513	XD2 - 1100 - 502		3	RING,E	
514	XD2 - 1100 - 502		5	RING,E	
515	XD2 - 1100 - 642		1	RING,E	
516	XD3 - 2200 - 082		1	PIN,DOWEL	
517	XD3 - 2200 - 102		1	PIN,DOWEL	
518	XD3 - 2200 - 102		1	PIN,DOWEL	
519	XD3 - 2200 - 102		3	PIN,DOWEL	
520	XD3 - 2200 - 122		1	PIN,DOWEL	

FIGURE 210 READER ASSEMBLY

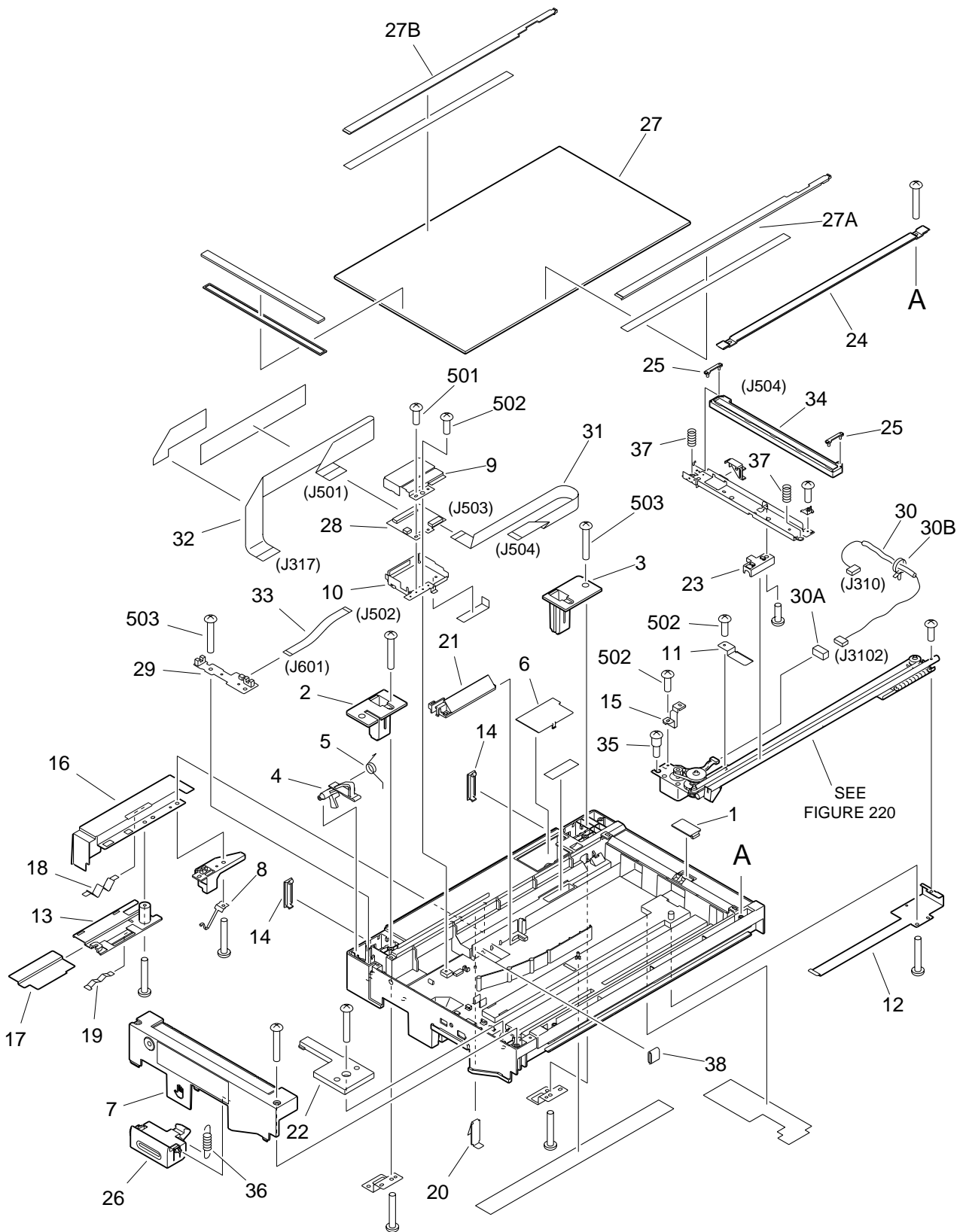


FIGURE & KEY NO.	PART NUMBER	RANK	QTY	DESCRIPTION	SERIAL NUMBER / REMARKS
210 -	NPN		RF	READER ASSEMBLY	
1	FB6 - 0171 - 000		1	COVER, BLANKING, SMALL	
2	FB6 - 0172 - 000		1	MOUNT, DF, LEFT	
3	FB6 - 0173 - 000		1	MOUNT, DF, RIGHT	
4	FB6 - 0176 - 000		1	FLAG, SENSOR	
5	FB6 - 0177 - 000		1	SPRING, TORSION	
6	FB6 - 0178 - 000		1	COVER, READER	ADF TYPE
	FB6 - 0204 - 000		1	COVER, BLANKING	COPYBOARD COVER TYPE
7	FB6 - 0181 - 000		1	GUIDE, DOCUMENT STOP	
8	FB6 - 0182 - 000		1	SPRING, LEAF	
9	FB6 - 0183 - 000		1	SHIELD, UPPER	
10	FB6 - 0184 - 000		1	SHIELD, LOWER	
11	FB6 - 0185 - 000		1	PLATE, GROUNDING, LEFT	
12	FB6 - 0186 - 000		1	PLATE, GROUNDING, RIGHT	
13	FB6 - 0189 - 000		1	REAR COVER, LOWER	
14	FB6 - 0191 - 000		2	COVER, REAR	
15	FB6 - 0197 - 000		1	PLATE, GROUNDING	
16	FB6 - 0198 - 000		1	COVER, SHIELD	
17	FB6 - 0199 - 000		1	PLATE, COVER, REAR LOWER	
18	FB6 - 0208 - 000		1	SPRING, LEAF	
19	FB6 - 0209 - 000		1	SPRING, LEAF	
20	FB6 - 0210 - 000		1	SPRING, LEAF	
21	FB6 - 0211 - 000		1	GUIDE, PRESS DOWN	
22	FB6 - 0212 - 000		1	GUIDE, PRESS DOWN	
23	FB6 - 0224 - 000		1	BLOCK, SLIDE	
24	FB6 - 0229 - 000		1	COVER, FRONT	
25	FB6 - 0237 - 000		2	SPACER	
26	FB6 - 0324 - 000		1	LEVER, READER	
27	FF6 - 1435 - 000		1	GLASS, COPYBOARD	
27 A	FB6 - 0202 - 000		1	GUIDE, POSITIONING, FRONT	

FIGURE & KEY NO.	PART NUMBER	RANK	QTY	DESCRIPTION	SERIAL NUMBER / REMARKS
210 - 27 B	FB6 - 0203 - 000		1	GUIDE, POSITIONING, REAR	
28	FG6 - 8800 - 000		1	ANALOG PROCESSOR PCB ASSEMBLY	
29	FG6 - 8801 - 000		1	SENSOR PCB ASSEMBLY	
30	FG6 - 8839 - 000		1	CABLE, READER MOTOR CONNECTING	J310,3102
30 A	VS1 - 5057 - 004		1	CONNECTOR, SNAP TIGHT	J3102
30 B	WT2 - 5565 - 000		1	CLAMP, CABLE	
31	FH2 - 6929 - 000		1	CABLE, FLAT	J503,504
32	FH2 - 6930 - 000		1	CABLE, FLAT	J317,501
33	FH2 - 6931 - 000		1	CABLE, FLAT	J502,601
34	FH7 - 7565 - 000		1	CONTACT IMAGE SENSOR UNIT	J504
35	FS5 - 9740 - 000		1	SCREW, STEPPED, M4	
36	FS7 - 2687 - 000		1	SPRING, TENSION	
37	FS7 - 2698 - 000		2	SPRING, COMPRESSION	
38	WE8 - 5885 - 000		3	CORE, FERRITE	
501	XB1 - 2300 - 607		2	SCREW, MACH., TRUSS HEAD, M3X6	
502	XB1 - 2300 - 607		5	SCREW, MACH., TRUSS HEAD, M3X6	
503	XB4 - 5401 - 007		20	SCREW, P, M4X10	

FIGURE 220 READER DRIVE ASSEMBLY

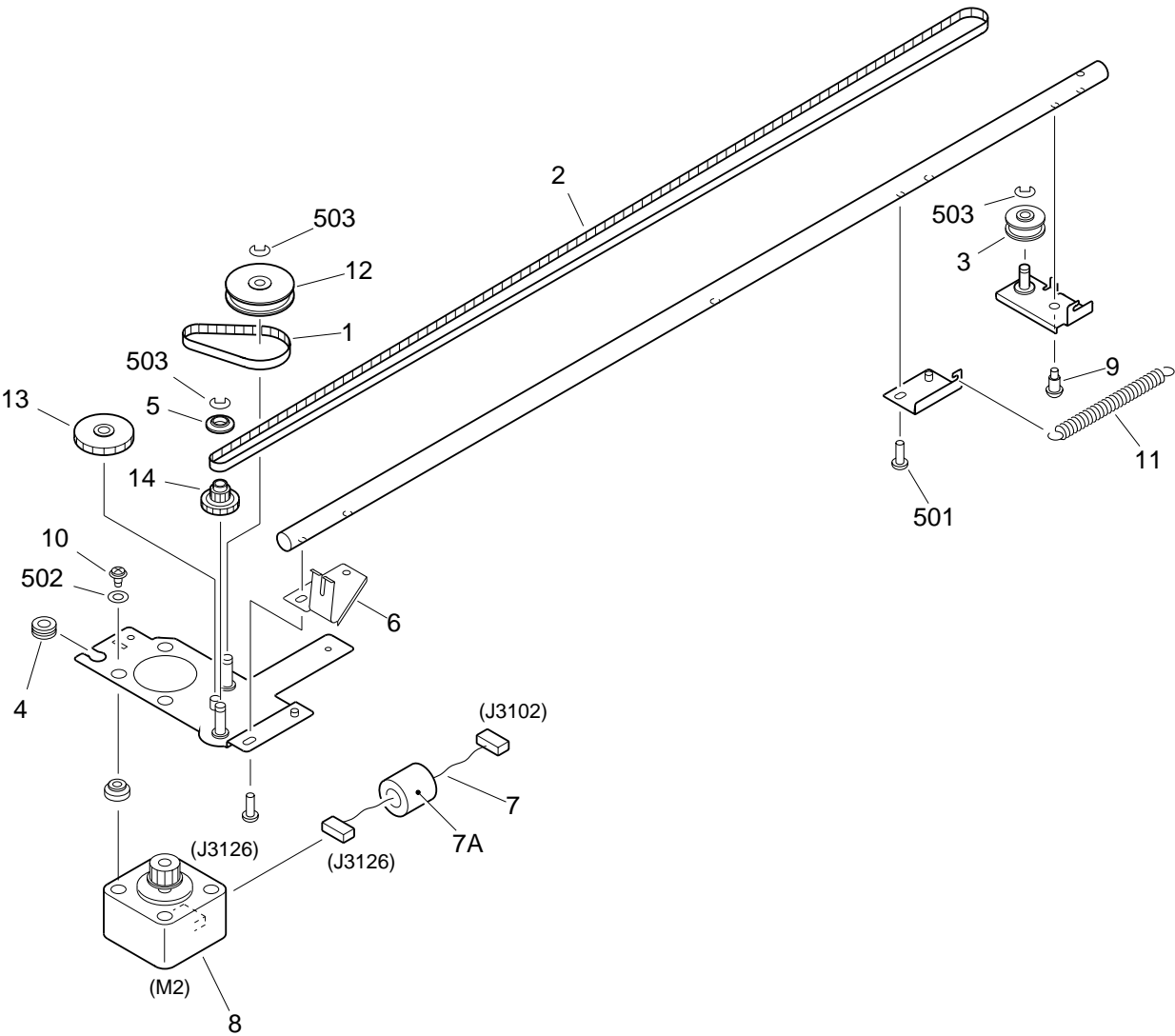


FIGURE & KEY NO.	PART NUMBER	R A N K	Q' T Y	DESCRIPTION	SERIAL NUMBER / REMARKS
220 -	FG6 - 7933 - 000		1	READER DRIVE ASSEMBLY	
1	FB6 - 0214 - 000		1	BELT, MOTOR DRIVE	
2	FB6 - 0215 - 000		1	BELT, TIMING	
3	FB6 - 0216 - 000		1	PULLEY, 20T	
4	FB6 - 0219 - 000		1	GROMMET	
5	FB6 - 0233 - 000		1	FLANGE	
6	FB6 - 0235 - 000		1	SPRING, LEAF	
7	FG6 - 8550 - 000		1	CABLE, READER MOTOR	J3102,3126
7 A	WE8 - 5941 - 000		1	CORE, FERRITE	
8	FH6 - 1922 - 000		1	MOTOR, STEPPING	M2 J3126
9	FS2 - 9478 - 000		1	SCREW, STEPPED, M3X3	
10	FS5 - 9739 - 000		3	SCREW, STEPPED, M3	
11	FS7 - 2701 - 000		1	SPRING, TENSION	
12	FU3 - 0075 - 000		1	PULLEY, 37T/GRAR, 16T	
13	FU3 - 0076 - 000		1	GEAR, 45T	
14	FU3 - 0107 - 000		1	PULLEY, 13T/GEAR, 28T	
501	XB6 - 7300 - 607		2	SCREW, TP, M3X6	
502	XD1 - 1104 - 131		3	SHIM	
503	XD2 - 1100 - 322		3	RING, E	

FIGURE 240 ADF DRIVE ASSEMBLY (ADF TYPE)

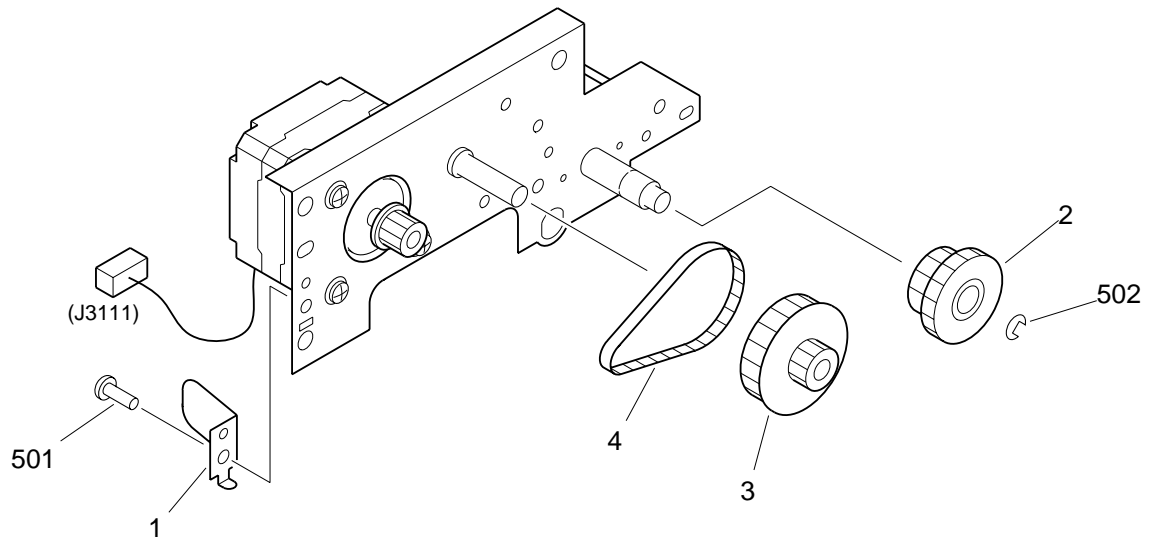


FIGURE & KEY NO.	PART NUMBER	RANK	QTY	DESCRIPTION	SERIAL NUMBER / REMARKS
240 -	FM2 - 0004 - 000		1	ADF DRIVE ASSEMBLY	ADF TYPE
1	FC5 - 0065 - 000		1	SPRING, LEAF	
2	FU5 - 0002 - 000		1	GEAR, 30T/PULLEY 30T	
3	FU5 - 3004 - 000		1	PULLEY, 20T/48T	
4	XF2 - 1606 - 440		1	BELT, TIMING	
501	XB2 - 7300 - 407		1	SCREW,W/WASHER,M3X4	
502	XD2 - 1100 - 642		1	RING,E	

FIGURE 250 MAIN DRIVE ASSEMBLY

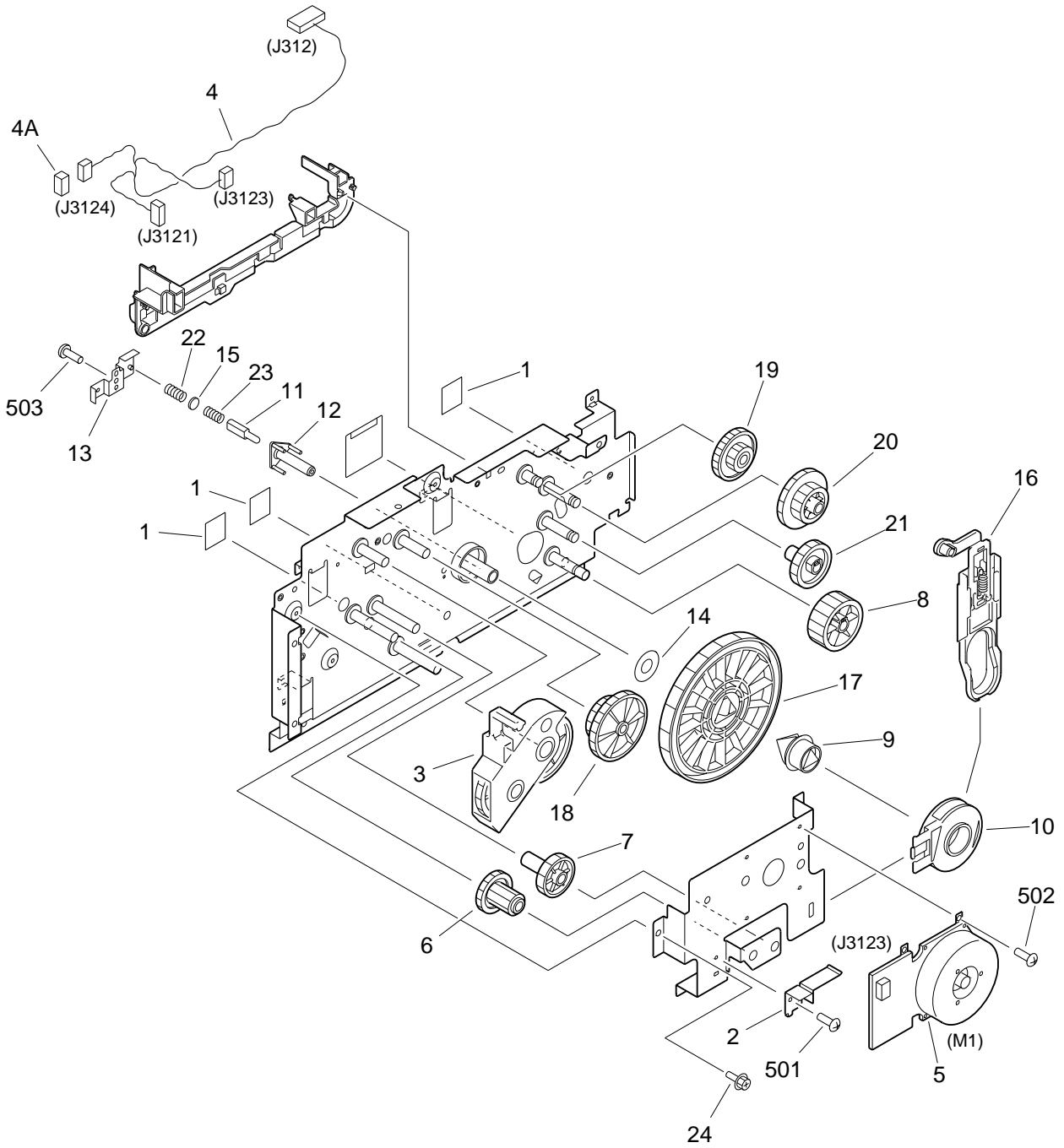


FIGURE & KEY NO.	PART NUMBER	RANK	QTY	DESCRIPTION	SERIAL NUMBER / REMARKS
250 -	FG6 - 7923 - 000		1	MAIN DRIVE ASSEMBLY	
1	FB6 - 0104 - 000		3	SHEET, BLANKING	
2	FB6 - 0321 - 000		1	COVER, GEAR	
3	FG6 - 7924 - 000		1	SWING GEAR UNIT	
4	FG6 - 8834 - 000		1	CABLE, MOTOR/FAN	J312,3121,3123,3124
4 A	VS1 - 5057 - 003		1	CONNECTOR, SNAP TIGHT	J3124
5	FH6 - 1923 - 000		1	MOTOR, DC BRUSHLESS	M1 J3123
6	FU3 - 0068 - 000		1	GEAR, 14T/28T	
7	FU3 - 0069 - 000		1	GEAR ,28T	
8	FU3 - 0070 - 000		1	GEAR, 36T	
9	RB2 - 2935 - 000		1	SHAFT, COUPLING	
10	RB2 - 2936 - 000		1	BUSHING	
11	RB2 - 2943 - 000		1	PIN	
12	RB2 - 2947 - 000		1	HOLDER, PIN	
13	RB2 - 2948 - 000		1	PLATE, SPRING	
14	RB2 - 2949 - 000		1	WASHER	
15	RB2 - 2950 - 000		1	FLANGE, SPRING	
16	RG9 - 1473 - 000		1	COUPLING LEVER UNIT	
17	RS6 - 0446 - 000		1	GEAR, 201T	
18	RS6 - 0447 - 000		1	GEAR, 58T/92T	
19	RS6 - 0448 - 000		1	GEAR, 17T/68T	
20	RS6 - 0449 - 000		1	GEAR, 25T/41T	
21	RS6 - 0450 - 000		1	GEAR, 31T	
22	RS6 - 2027 - 020		1	SPRING, COMPRESSION	
23	RS6 - 2031 - 000		1	SPRING, COMPRESSION	
24	XA9 - 1164 - 000		3	SCREW,RS,M3X6.5	
501	XB1 - 2300 - 607		1	SCREW,MACH.,TRUSS HEAD,M3X6	
502	XB1 - 2300 - 607		4	SCREW,MACH.,TRUSS HEAD,M3X6	
503	XB2 - 7300 - 407		1	SCREW,W/WASHER,M3X4	

FIGURE 300 CASSETTE(250 SHEET UNIVERSAL TYPE)

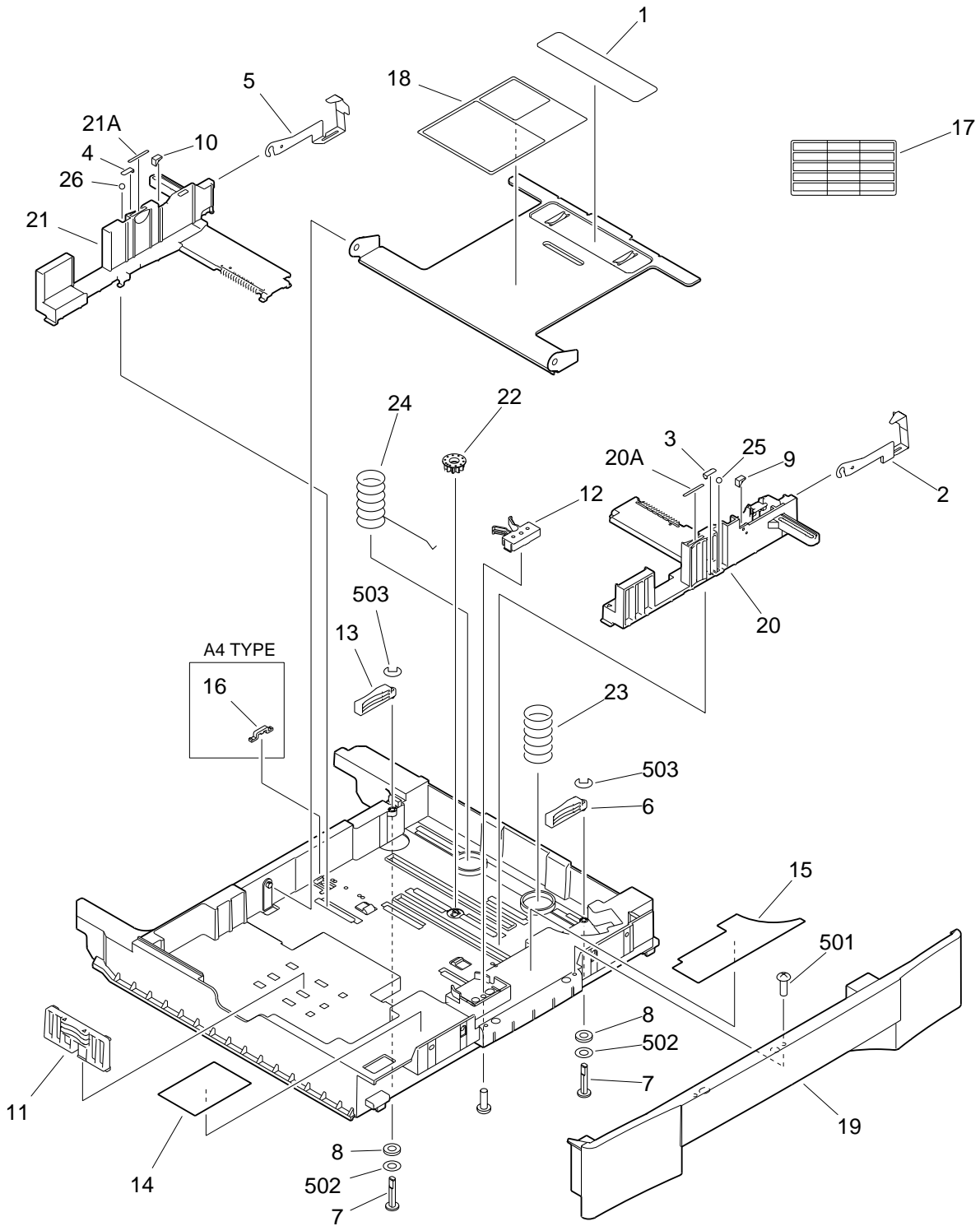


FIGURE & KEY NO.	PART NUMBER	RANK	QTY	DESCRIPTION	SERIAL NUMBER / REMARKS
300 -	NPN		RF	CASSETTE	250 UNIVERSAL TYPE PC1270/1250 PC1230/1210
1	FB5 - 0159 - 000		1	SHEET, SEPARATION	
2	FB5 - 0161 - 000		1	CLAW, SEPARATION, FRONT	
3	FB5 - 0165 - 000		1	SPRING, LEAF	
4	FB5 - 0165 - 000		1	SPRING, LEAF	
5	FB5 - 0167 - 000		1	CLAW, SEPARATION, REAR	
6	FB5 - 0168 - 000		1	LEVER, SIDE PLATE LOCK, FRONT	
7	FB5 - 0169 - 000		2	SHAFT, LOCK LEVER	
8	FB5 - 0170 - 000		2	PAD, RUBBER	
9	FB5 - 0171 - 000		1	SUPPORT, CLAW	
10	FB5 - 0171 - 000		1	SUPPORT, CLAW	
11	FB5 - 0172 - 000		1	PLATE, END SIDE LIMIT	
12	FB5 - 0173 - 000		1	GUIDE, POSITIONING	
13	FB5 - 0175 - 000		1	LEVER, SIDE PLATE LOCK, REAR	
14	FB5 - 0176 - 000		1	LABEL, PAPER INSTRUCTION	
15	FB5 - 0177 - 000		1	LABEL, SIZE CHANGE INSTRUCTION	
16	FB5 - 0180 - 000		1	SUPPORT, STOP	A4 TYPE
17	FB5 - 0181 - 000		1	LABEL, SIZE CHANGE	
18	FB6 - 0263 - 000		1	LABEL, LIFTING, SIZE CHANGE	
19	FB6 - 0328 - 000		1	PANEL, CASSETTE, FRONT	
20	FF5 - 9034 - 000		1	PLATE, SIDE LIMIT, FRONT	
20 A	FB5 - 0178 - 000		1	LABEL, SIDE PLATE OPERATION	
21	FF5 - 9035 - 000		1	PLATE, SIDE LIMIT, REAR	
21 A	FB5 - 0178 - 000		1	LABEL, SIDE PLATE OPERATION	
22	FS7 - 0457 - 000		1	GEAR, 10T	
23	FS7 - 2201 - 000		1	SPRING, COMPRESSION	
24	FS7 - 2202 - 000		1	SPRING, COMPRESSION	
25	X71 - 7503 - 000		1	BALL, SLIDE CLICK FEELING	
26	X71 - 7503 - 000		1	BALL, SLIDE CLICK FEELING	

FIGURE & KEY NO.	PART NUMBER	R A N K	Q' T Y	DESCRIPTION	SERIAL NUMBER / REMARKS
300 - 501	XB4 - 7400 - 809		3	SCREW,TAPPING,TRUSS HEAD,M4X8	
502	XD1 - 1104 - 635		2	SHIM	
503	XD2 - 1200 - 202		2	RING,E	

FIGURE 301 CASSETTE(250 SHEET A4 TYPE)

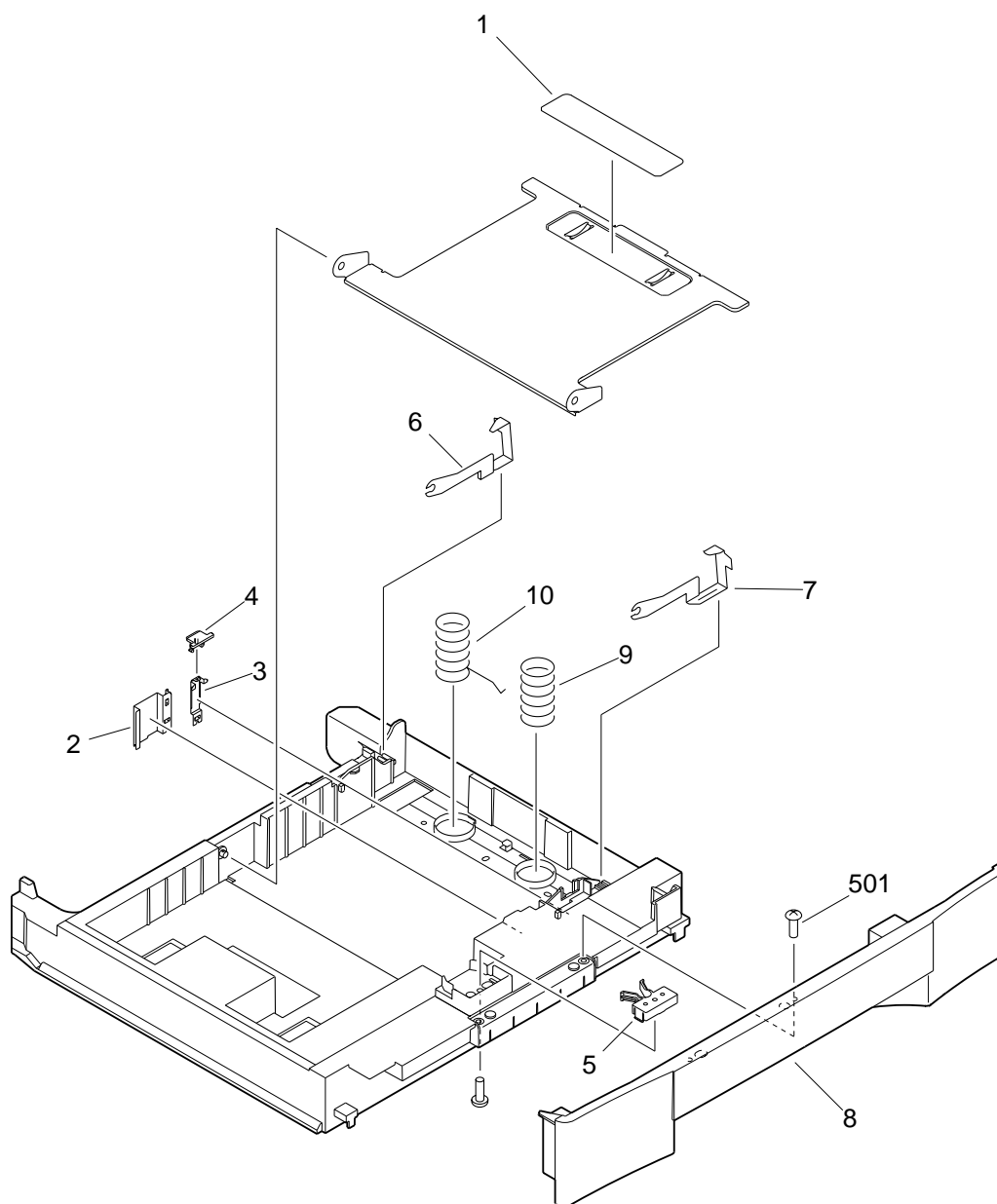


FIGURE & KEY NO.	PART NUMBER	R A N K	Q' T Y	DESCRIPTION	SERIAL NUMBER / REMARKS
301 -	NPN		RF	CASSETTE	250 A4 TYPE PC1210D/1230D IR1210G/1230G
1	FB5 - 0159 - 000		1	SHEET, SEPARATION	
2	FB5 - 0162 - 000		1	SPRING, LEAF	
3	FB5 - 0163 - 000		1	SPRING, LEAF	
4	FB5 - 0164 - 000		1	RETAINER, SIDE	
5	FB5 - 0173 - 000		1	GUIDE, POSITIONING	
6	FB5 - 2843 - 000		1	CLAW, SEPARATION, FRONT	
7	FB5 - 2844 - 000		1	CLAW, SEPARATION, REAR	
8	FB6 - 0328 - 000		1	PANEL, CASSETTE, FRONT	
9	FS7 - 2201 - 000		1	SPRING, COMPRESSION	
10	FS7 - 2202 - 000		1	SPRING, COMPRESSION	
501	XB4 - 7400 - 809		3	SCREW,TAPPING,TRUSS HEAD,M4X8	

FIGURE 302 CASSETTE(500 SHEET LTR/LGL TYPE)

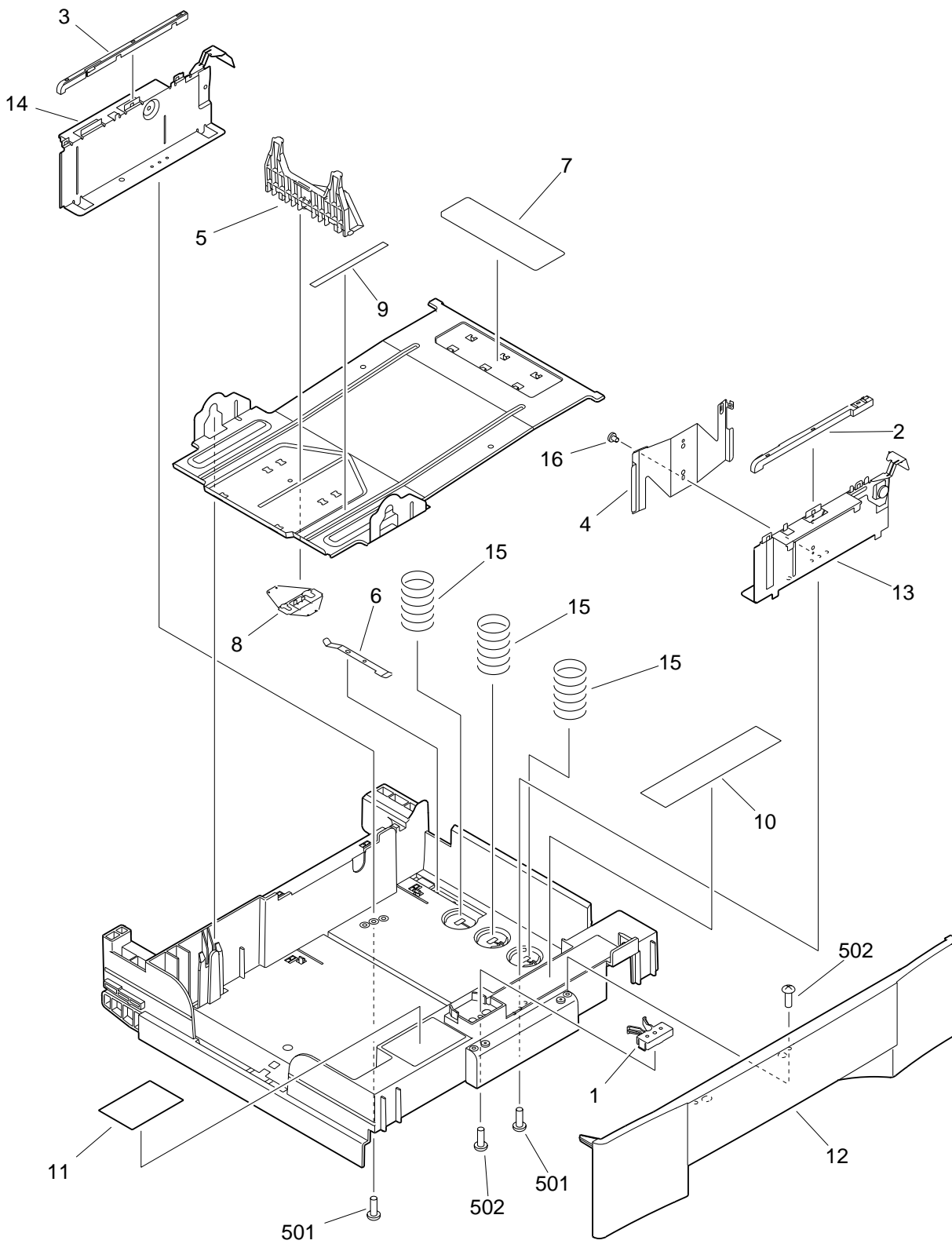
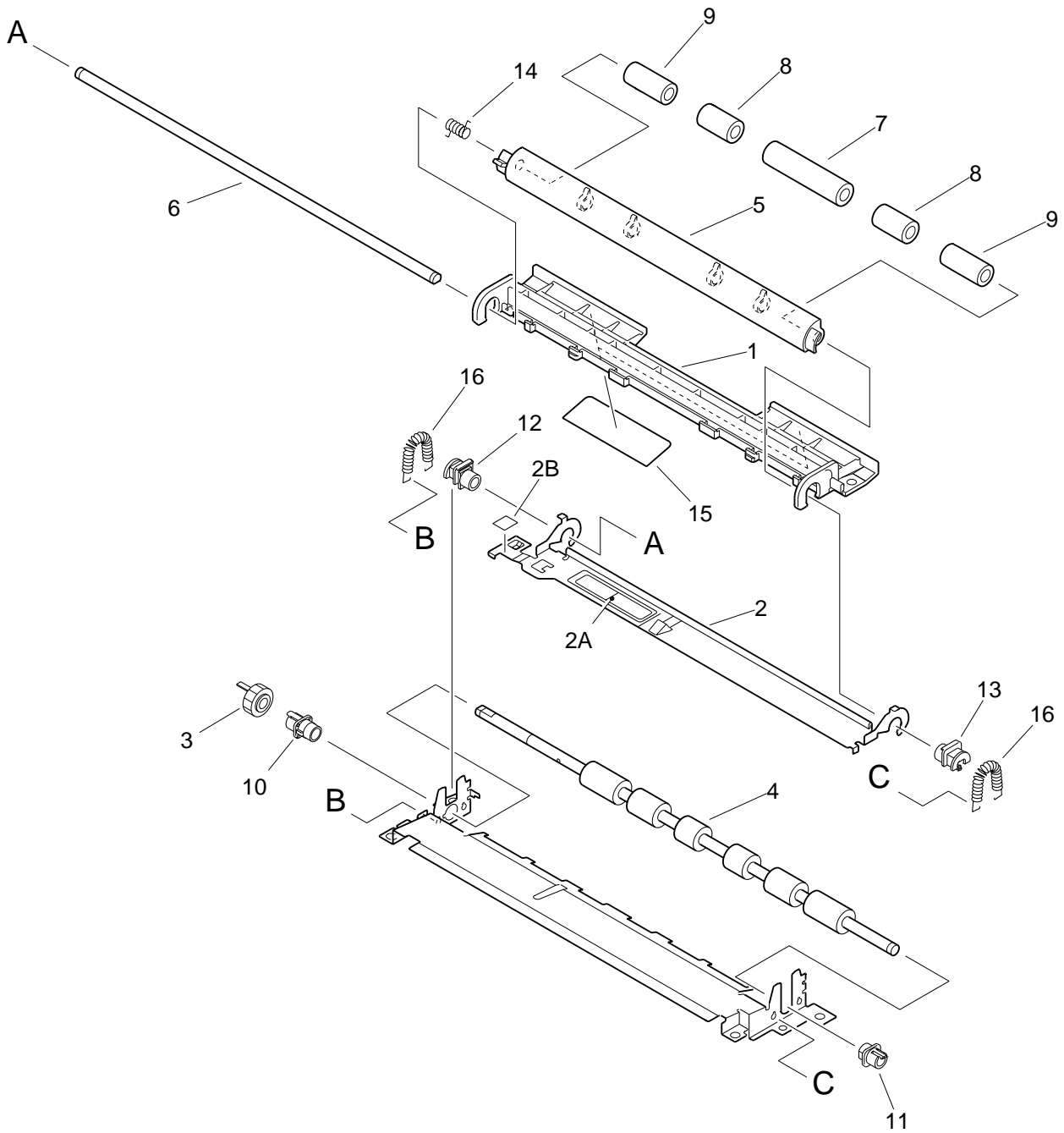


FIGURE & KEY NO.	PART NUMBER	RANK	QTY	DESCRIPTION	SERIAL NUMBER / REMARKS
302 -	NPN		RF	CASSETTE	500 LTR/LGL TYPE PC1080F/1060/1061
1	FB5 - 0173 - 000		1	GUIDE, POSITIONING	
2	FB5 - 0218 - 000		1	COVER, LIMIT PLATE, FRONT	
3	FB5 - 0219 - 000		1	COVER, LIMIT PLATE, REAR	
4	FB5 - 0220 - 000		1	SPRING, LEAF, SIDE LIMIT	
5	FB5 - 0221 - 000		1	PLATE, END SIDE LIMIT	
6	FB5 - 0222 - 000		1	SPRING, LEAF	
7	FB5 - 0229 - 000		1	SHEET, SEPARATION	
8	FB5 - 0230 - 000		1	SPRING, LEAF, END LIMIT	
9	FB5 - 0231 - 000		1	LABEL, PAPER SIZE	
10	FB5 - 0232 - 000		1	LABEL, END LIMIT	
11	FB5 - 0234 - 000	N	1	LABEL, PAPER SET	
12	FB6 - 0329 - 000		1	PANEL, CASSETTE, FRONT	
13	FF5 - 9073 - 000		1	PLATE, SIDE LIMIT, FRONT	
14	FF5 - 9074 - 000		1	PLATE, SIDE LIMIT, REAR	
15	FS7 - 2211 - 000		3	SPRING, COMPRESSION	
16	XA9 - 0903 - 000		2	SCREW,M3X5	
501	XB1 - 2300 - 809		2	SCREW,MACH.,TRUSS HEAD,M3X8	
502	XB4 - 7400 - 809		3	SCREW,TAPPING,TRUSS HEAD,M4X8	

FIGURE 320 REGISTRATION ASSEMBLY



NOTE: This assembly does not include the part shown with key No.3.

FIGURE & KEY NO.	PART NUMBER	RANK	QTY	DESCRIPTION	SERIAL NUMBER / REMARKS
320 -	FG6 - 7926 - 000		1	REGISTRATION ASSEMBLY	
1	FB6 - 0160 - 000		1	GUIDE, REGISTRATION FRONT	
2	FF6 - 1441 - 000		1	GUIDE, TRANSFER, UPPER	
2 A	FB6 - 2302 - 000		1	LABEL, JAM	
2 B	RB2 - 2923 - 000		1	LABEL, TRANSFER GUIDE	
3	FU3 - 0071 - 000		1	GEAR, 14T	SEE NOTE
4	RB2 - 2908 - 000		1	ROLLER, REGISTRATION	
5	RB2 - 2909 - 000		1	SHUTTER, REGISTRATION	
6	RB2 - 2910 - 000		1	SHAFT, REGISTRATION ROLLER	
7	RB2 - 2911 - 000		1	ROLLER	
8	RB2 - 2912 - 000		2	ROLLER	
9	RB2 - 2913 - 000		2	ROLLER	
10	RB2 - 2918 - 000		1	BUSHING, RIGHT	
11	RB2 - 2919 - 000		1	BUSHING, LEFT	
12	RB2 - 2920 - 000		1	BUSHING	
13	RB2 - 2921 - 000		1	BUSHING	
14	RB2 - 2922 - 000		1	SPRING, TORSION	
15	RB2 - 2933 - 000		2	SHEET, REGISTRATION FRONT	
16	RS6 - 2026 - 000		2	SPRING, TENSION	

FIGURE 330 PAPER FEEDER ASSEMBLY

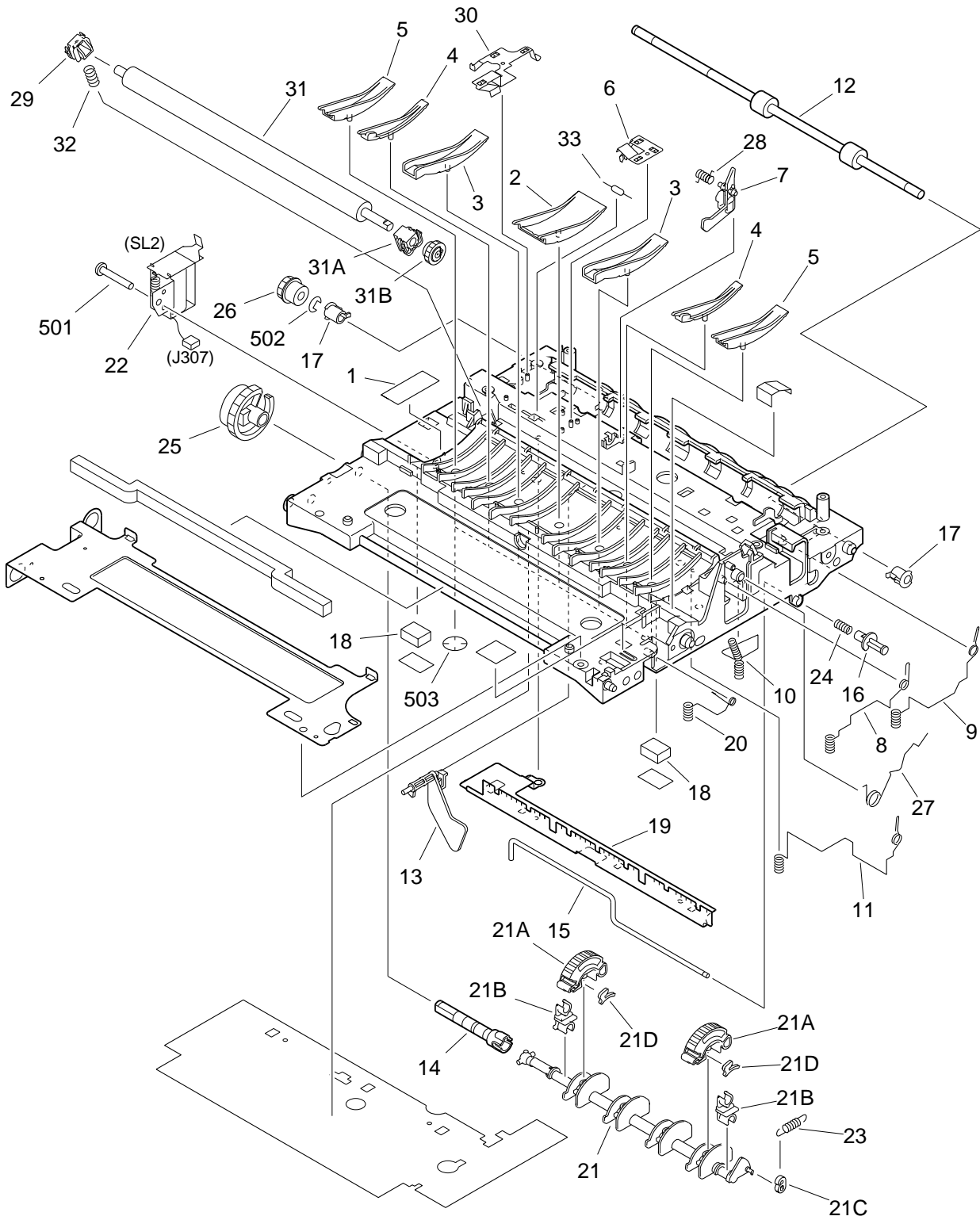


FIGURE & KEY NO.	PART NUMBER	RANK	QTY	DESCRIPTION	SERIAL NUMBER / REMARKS
330 -	NPN		RF	PAPER FEEDER ASSEMBLY	
1	FB2 - 9653 - 000		1	LABEL, CAUTION	
2	FB6 - 0079 - 000		1	GUIDE, PAPER FEED, 1	
3	FB6 - 0080 - 000		2	GUIDE, PAPER FEED, 2	
4	FB6 - 0081 - 000		2	GUIDE, PAPER FEED, 3	
5	FB6 - 0082 - 000		2	GUIDE, PAPER FEED, 4	
6	FB6 - 0157 - 000		1	SPRING, LEAF	
7	FB6 - 0158 - 000		1	FLAG, REGISTRATION SENSOR	
8	FB6 - 0166 - 000		1	SPRING UNIT, CONTACT	
9	FB6 - 0167 - 000		1	SPRING UNIT, CONTACT	
10	FB6 - 0168 - 000		1	SPRING UNIT, CONTACT	
11	FB6 - 0169 - 000		1	SPRING UNIT, CONTACT	
12	FB6 - 0240 - 000		1	ROLLER, PAPER FEED	
13	FB6 - 0241 - 000		1	FLAG, PAPER SENSOR	
14	FB6 - 0245 - 000		1	SHAFT, JOINT	
15	FB6 - 0248 - 000		1	ARM, RETURN	
16	FB6 - 0260 - 000		1	GUIDE, ARM	
17	FB6 - 0261 - 000		2	BUSHING	
18	FB6 - 0274 - 000		2	SEAL, PAPER FEED FRAME	
19	FB6 - 0296 - 000		1	ELIMINATOR, STATIC CHARGE	
20	FB6 - 0297 - 000		1	SPRING UNIT, CONTACT	
21	FG6 - 7954 - 000		1	PAPER PICK-UP SHAFT ASSEMBLY	
21 A	FB4 - 9817 - 030		2	ROLLER, PICK-UP	
21 B	FB4 - 9819 - 000		2	HOLDER, PICK-UP SHAFT	
21 C	FB4 - 9820 - 000		1	COLLAR, SPRING	
21 D	FB4 - 9847 - 000		2	SPACER, PICK-UP ROLLER	
22	FH6 - 5037 - 000		1	SOLENOID	SL2 J307
23	FS7 - 2689 - 000		1	SPRING, TENSION	
24	FS7 - 2690 - 000		1	SPRING, COMPRESSION	
25	FU3 - 0073 - 000		1	GEAR, 32T	

FIGURE & KEY NO.	PART NUMBER	RANK	QTY	DESCRIPTION	SERIAL NUMBER / REMARKS
330 - 26	FU3 - 0074 - 000		1	GEAR, 14T	
27	RB2 - 2832 - 000		1	SPRING, TORSION	
28	RB2 - 2843 - 000		1	SPRING, TORSION	
29	RB2 - 2926 - 020		1	BUSHING, TRANSFER, RIGHT	
30	RB2 - 3045 - 000		1	SPRING, LEAF, GROUNDING	
31	RG5 - 4130 - 000		1	TRANSFER ROLLER UNIT	
31 A	RB2 - 2925 - 020		1	BUSHING, TRANSFER, LEFT	
31 B	RS6 - 0459 - 000		1	GEAR, 17T	
32	RS6 - 2022 - 000		1	SPRING, COMPRESSION	
33	WA1 - 6525 - 000		1	DIODE, V17C33A	
501	XB4 - 5401 - 007		1	SCREW,P,M4X10	
502	XD2 - 1100 - 502		1	RING,E	
503	XD2 - 2300 - 302		7	RING,TOOTHED LOCK	

FIGURE 460 SCANNER ASSEMBLY

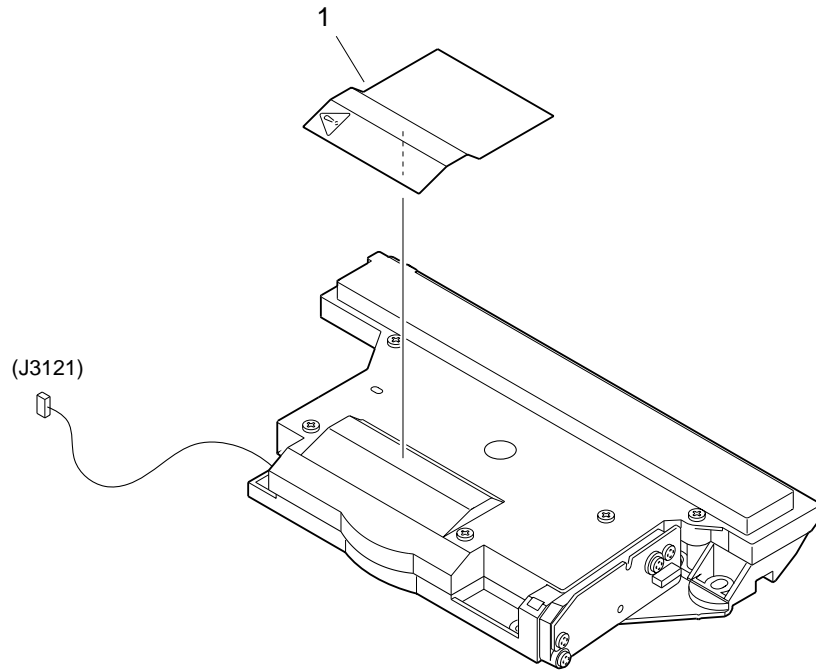


FIGURE & KEY NO.	PART NUMBER	RANK	QTY	DESCRIPTION	SERIAL NUMBER / REMARKS
460 -	FG6 - 7925 - 000		1	SCANNER ASSEMBLY	
1	RS6 - 8382 - 000		1	LABEL, "WARNING LASER"	

FIGURE 810 FIXING ASSEMBLY

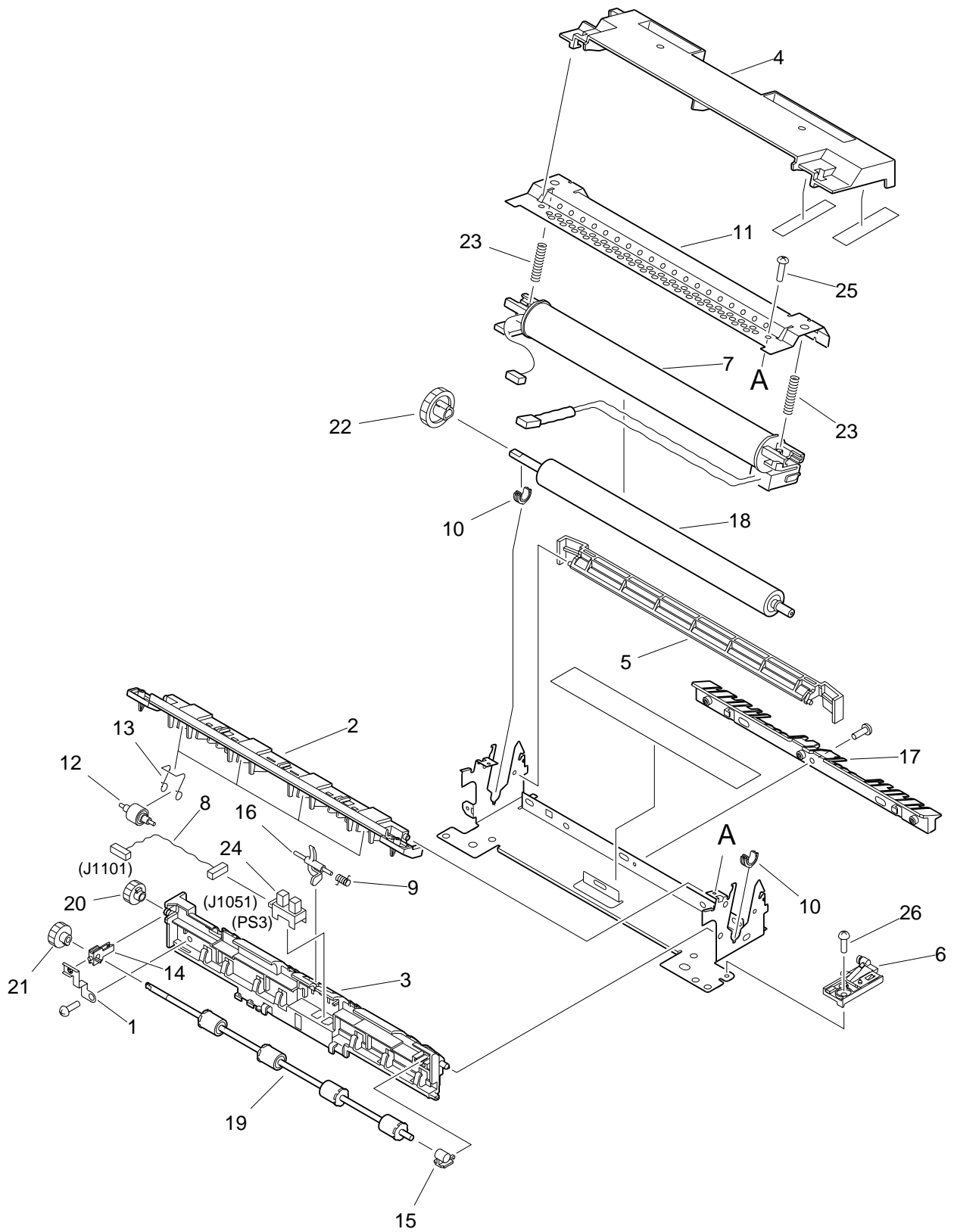


FIGURE & KEY NO.	PART NUMBER	RANK	QTY	DESCRIPTION	SERIAL NUMBER / REMARKS
810 - 1 2	FG6 - 7934 - 000		1	FIXING ASSEMBLY	100V
	FG6 - 7947 - 000		1	FIXING ASSEMBLY	120V
	FG6 - 7945 - 000		1	FIXING ASSEMBLY	220/240V
	FB6 - 0114 - 000		1	PLATE, GROUNDING	
	FB6 - 0115 - 000		1	GUIDE, SEPARATION, UPPER	
3	FB6 - 0116 - 000		1	GUIDE, SEPARATION, LOWER	
4	FB6 - 0121 - 000		1	COVER, FIXING	
5	FB6 - 0122 - 000		1	GUIDE, FIXING INLET, UPPER	
6	FF6 - 1437 - 000		1	FIXING TERMINAL UNIT	
7	FG6 - 7937 - 000		1	FIXING FILM GUIDE ASSEMBLY	100V
	FG6 - 7948 - 000		1	FIXING FILM GUIDE ASSEMBLY	120V
	FG6 - 7946 - 000		1	FIXING FILM GUIDE ASSEMBLY	220/240V
8	FG6 - 8849 - 000		1	CABLE, DELIVERY SENSOR	J1101,1051
9	FS7 - 2700 - 000		1	SPRING, TORSION	
10	RB2 - 2973 - 000		2	BUSHING	
11	RB2 - 2975 - 000		1	PLATE, PRESSURE	
12	RB2 - 2977 - 000		4	ROLLER, DELIVERY	
13	RB2 - 2978 - 000		4	SPRING, COMPRESSION	
14	RB2 - 2985 - 000		1	BUSHING	
15	RB2 - 2986 - 000		1	BUSHING	
16	RB2 - 6351 - 000		1	LEVER, DELIVERY	
17	RB2 - 6357 - 000		1	GUIDE, ENTRANCE	
18	RF5 - 2601 - 020		1	ROLLER, PRESSURE	
19	RF5 - 2603 - 000		1	ROLLER, DELIVERY	
20	RS6 - 0442 - 000		1	GEAR, 14T	
21	RS6 - 0443 - 000		1	GEAR, 15T	
22	RS6 - 0458 - 000		1	GEAR, 26T	
23	RS6 - 2029 - 000		2	SPRING, COMPRESSION	
24	WG8 - 5309 - 000		1	PHOTO-INTERRUPTER	PS3 J1051
25	XA9 - 0836 - 000		2	SCREW,TP,M3X6	

FIGURE & KEY NO.	PART NUMBER	R A N K	Q' T Y	DESCRIPTION	SERIAL NUMBER / REMARKS
810 - 26	XA9 - 0924 - 000		3	SCREW,W/WASHER,M3X8	

FIGURE 930 PCB ASSEMBLY

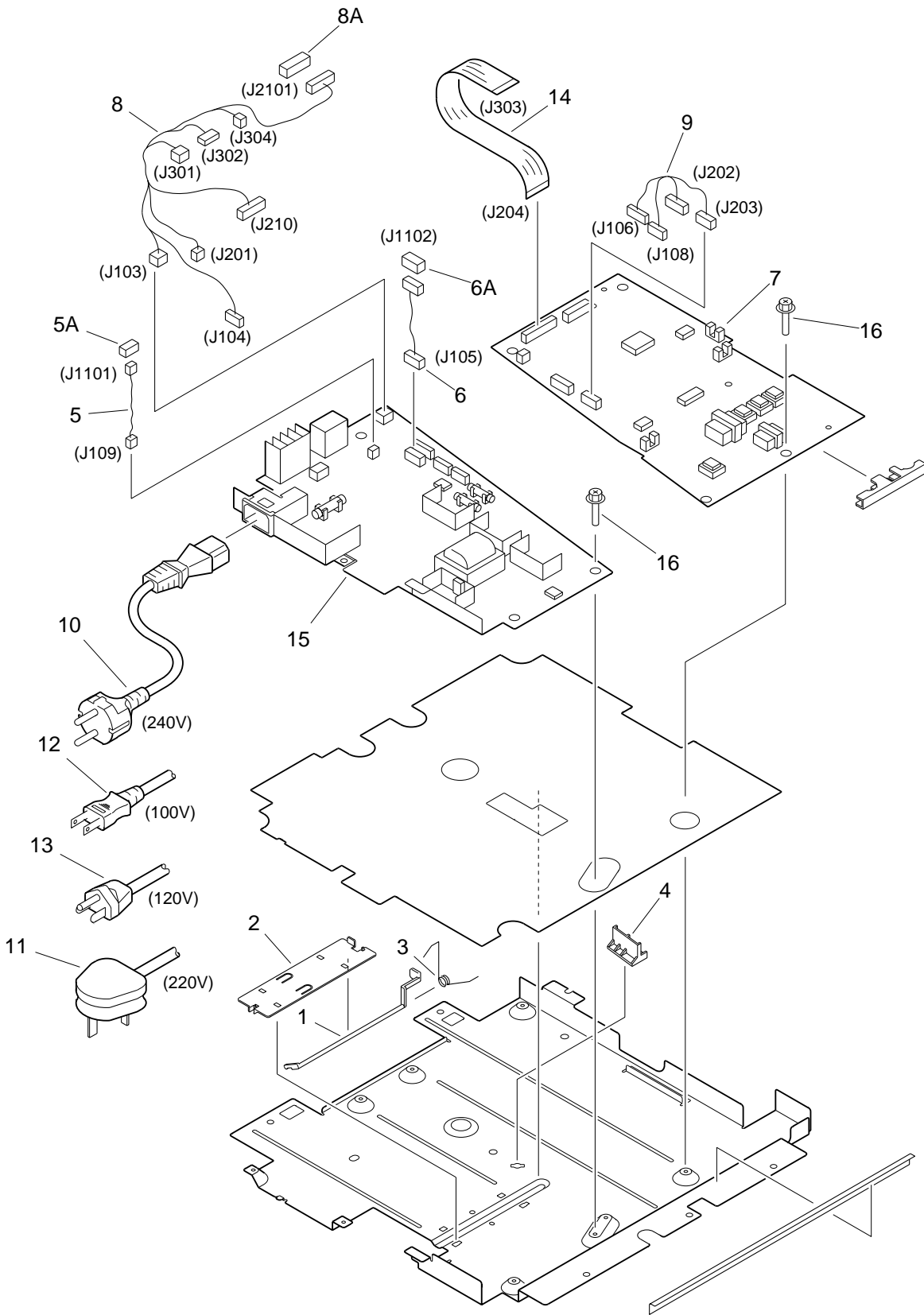


FIGURE & KEY NO.	PART NUMBER	RANK	QTY	DESCRIPTION	SERIAL NUMBER / REMARKS
930 -	NPN		RF	PCB ASSEMBLY	
1	FB6 - 0290 - 000		1	FLAG, SENSOR, 2	
2	FB6 - 0292 - 000		1	HOLDER, SENSOR FLAG	
3	FB6 - 0293 - 000		1	SPRING, TORSION	
4	FB6 - 0295 - 000		1	SPACER, CONTROLLER MOUNT	
5	FG6 - 8547 - 000		1	CABLE, PAPER DELIVERY SENSOR	J109,1101
5 A	VS1 - 5057 - 003		1	CONNECTOR, SNAP TIGHT	J1101
6	FG6 - 8548 - 000		1	CABLE, THERMISTOR	J105,1102
6 A	VS1 - 5057 - 004		1	CONNECTOR, SNAP TIGHT	J1102
7	FG6 - 8802 - 000		1	DC CONTROLLER PCB ASSEMBLY	
8	FG6 - 8832 - 000		1	CABLE, POWER SUPPLY/IP	J103,104,201,210 J301,302,304,2101
8 A	VS1 - 5057 - 011		1	CONNECTOR, SNAP TIGHT	J2101
9	FG6 - 8833 - 000		1	CABLE, POWER SUPPLY/DC	J106,108,202,203
10	FH2 - 5761 - 020		1	CORD, POWER SUPPLY	240V
11	FH2 - 5762 - 000		1	CORD, POWER SUPPLY	220V
12	FH2 - 6577 - 000		1	CORD, POWER SUPPLY	100V
13	FH2 - 6578 - 000		1	CORD, POWER SUPPLY	120V
14	FH2 - 6933 - 000		1	CABLE, FLAT	J204,303
15	FH3 - 2638 - 000		1	DC POWER SUPPLY PCB ASSEMBLY	100V
	FH3 - 2639 - 000		1	DC POWER SUPPLY PCB ASSEMBLY	120V
	FH3 - 2643 - 000		1	DC POWER SUPPLY PCB ASSEMBLY	220/240V
16	XA9 - 1164 - 000		9	SCREW,RS,M3X6.5	

FIGURE 950 IMAGE PROCESSOR PCB ASSEMBLY

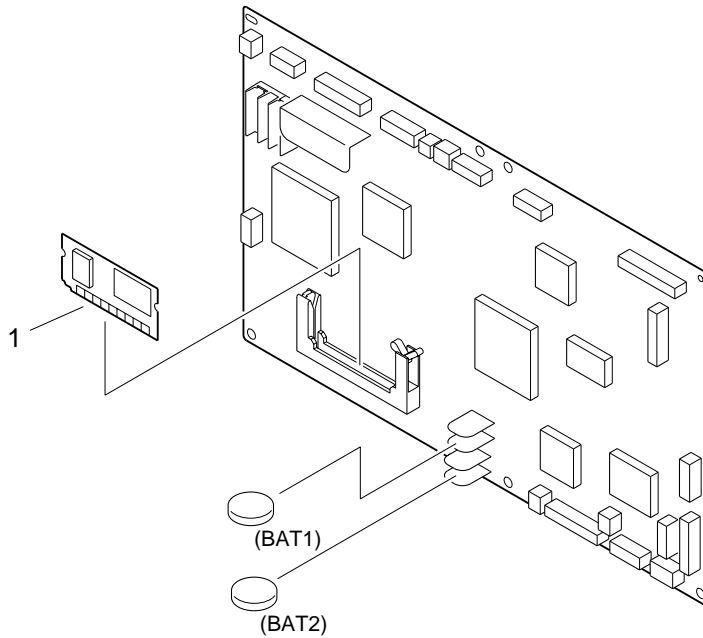


FIGURE & KEY NO.	PART NUMBER	RANK	QTY	DESCRIPTION	SERIAL NUMBER / REMARKS
950 -	FG6 - 8812 - 000		1	IMAGE PROCESSOR PCB ASSEMBLY	PC1080F
	FG6 - 8822 - 000		1	IMAGE PROCESSOR PCB ASSEMBLY	PC1060/1061
	FG6 - 8807 - 000		1	IMAGE PROCESSOR PCB ASSEMBLY	PC1270
	FG6 - 8811 - 000		1	IMAGE PROCESSOR PCB ASSEMBLY	PC1250
	FG6 - 8813 - 000		1	IMAGE PROCESSOR PCB ASSEMBLY	PC1230
	FG6 - 8818 - 000		1	IMAGE PROCESSOR PCB ASSEMBLY	PC1210
	FG6 - 8821 - 000		1	IMAGE PROCESSOR PCB ASSEMBLY	PC1210D
	FG6 - 8820 - 000		1	IMAGE PROCESSOR PCB ASSEMBLY	IR1210G
	FG6 - 8816 - 000		1	IMAGE PROCESSOR PCB ASSEMBLY	PC1230D
	FG6 - 8815 - 000		1	IMAGE PROCESSOR PCB ASSEMBLY	IR1230G
1	FG6 - 9097 - 000		1	DIMM ASS'Y DIMM	PC1270/1250 PC1230/1210
	FG6 - 9098 - 000		1	DIMM ASS'Y DIMM	PC1080F/1060/1061
	FG6 - 9099 - 000		1	DIMM ASS'Y DIMM	PC1210D/1230D IR1210G/1230G
BAT 1	WK1 - 5112 - 000		1	LITHIUM BATTERY, CR2450VN75N	
BAT 2	WK1 - 5133 - 000		1	BATTERY, LI-AI/V205,VL2330/G1C	

FIGURE B LIST OF CONNECTORS(1/4)

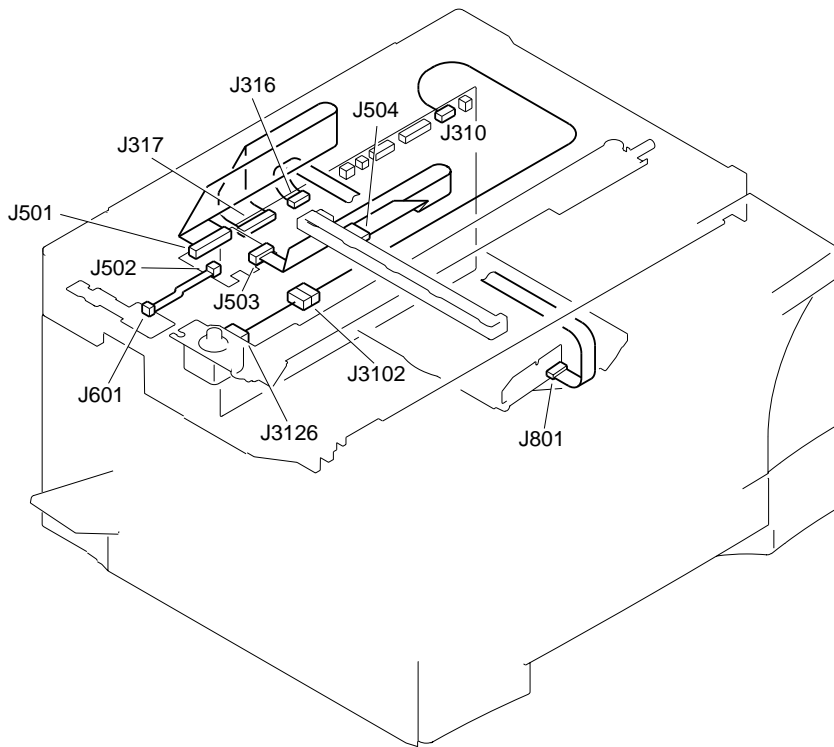
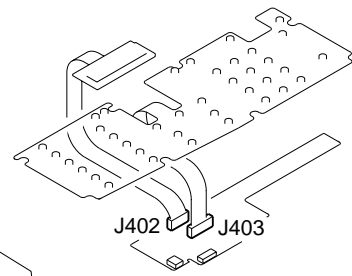
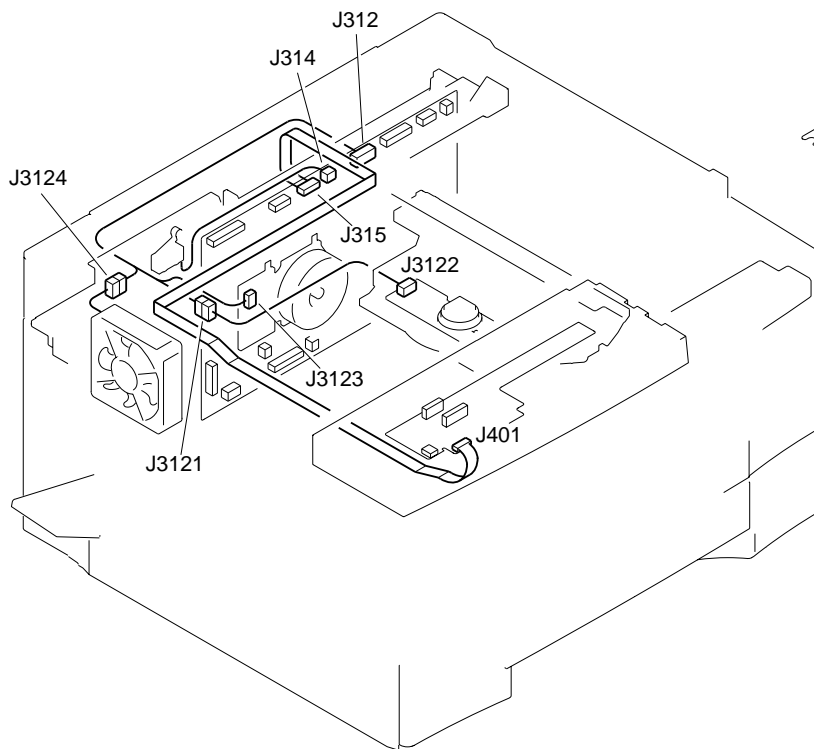


FIGURE B LIST OF CONNECTORS(2/4)

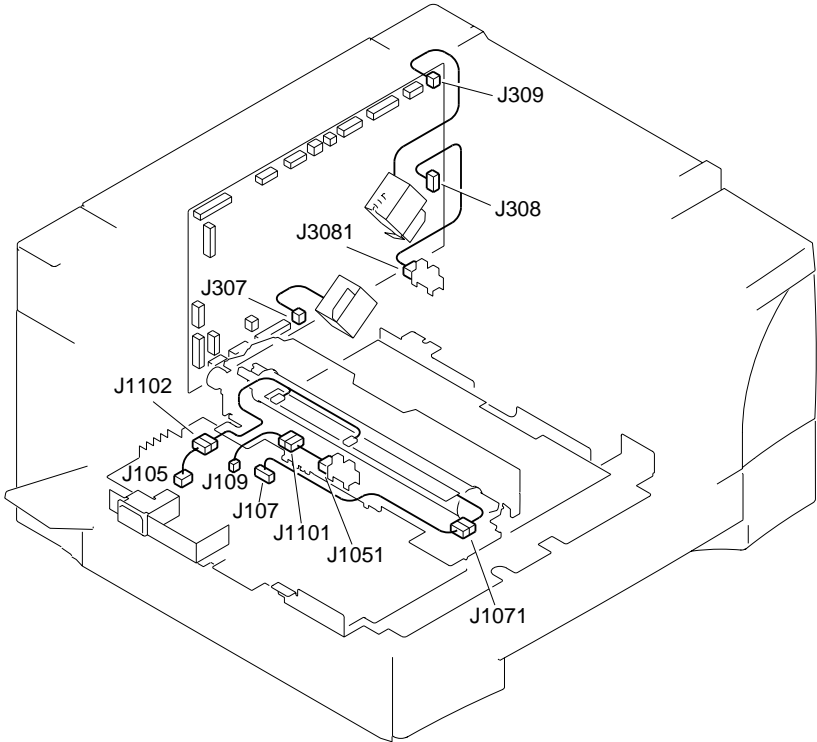
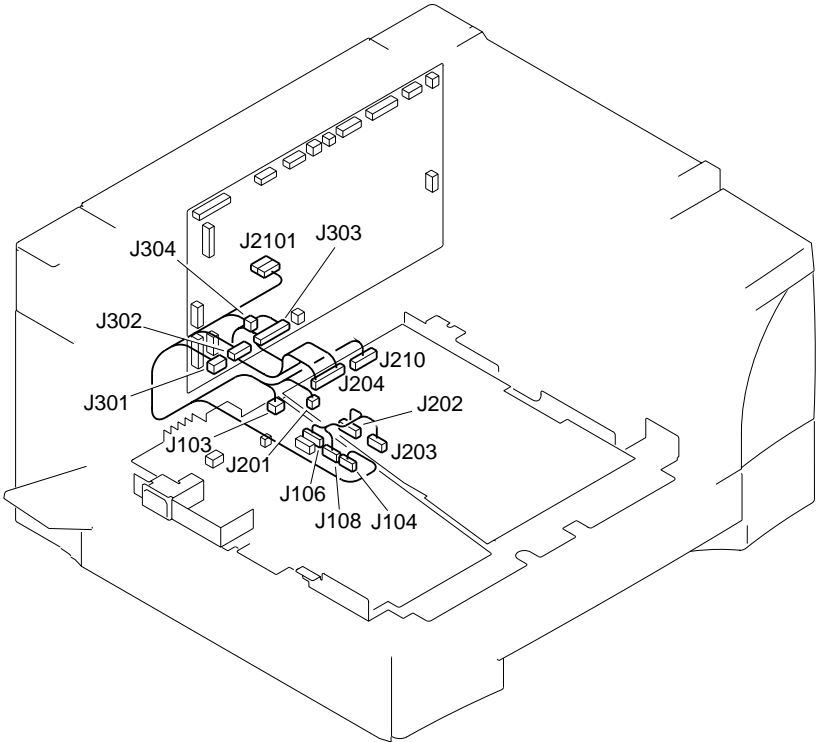


FIGURE B LIST OF CONNECTORS(3/4)

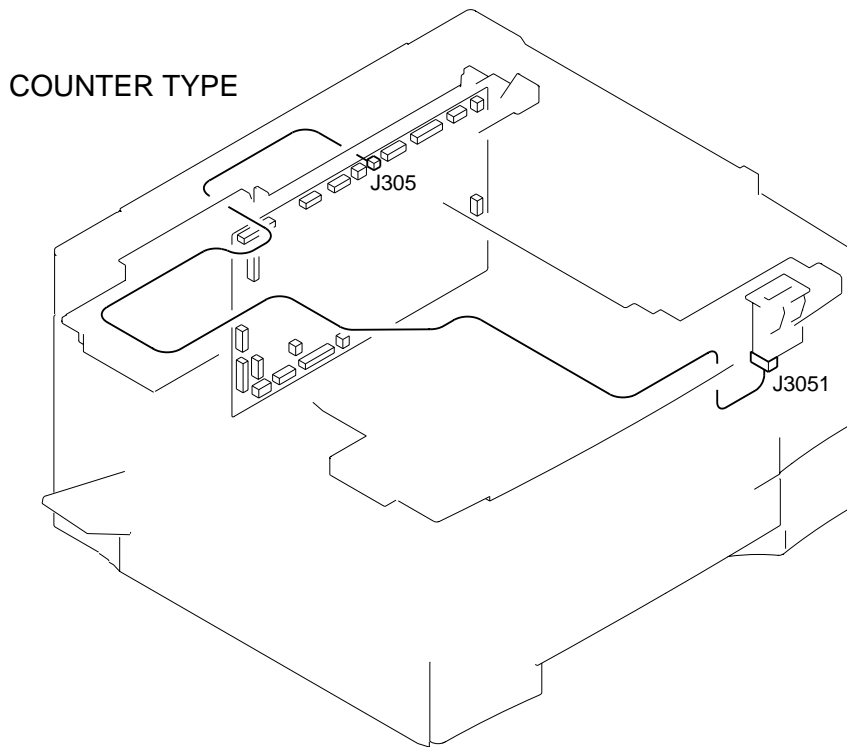
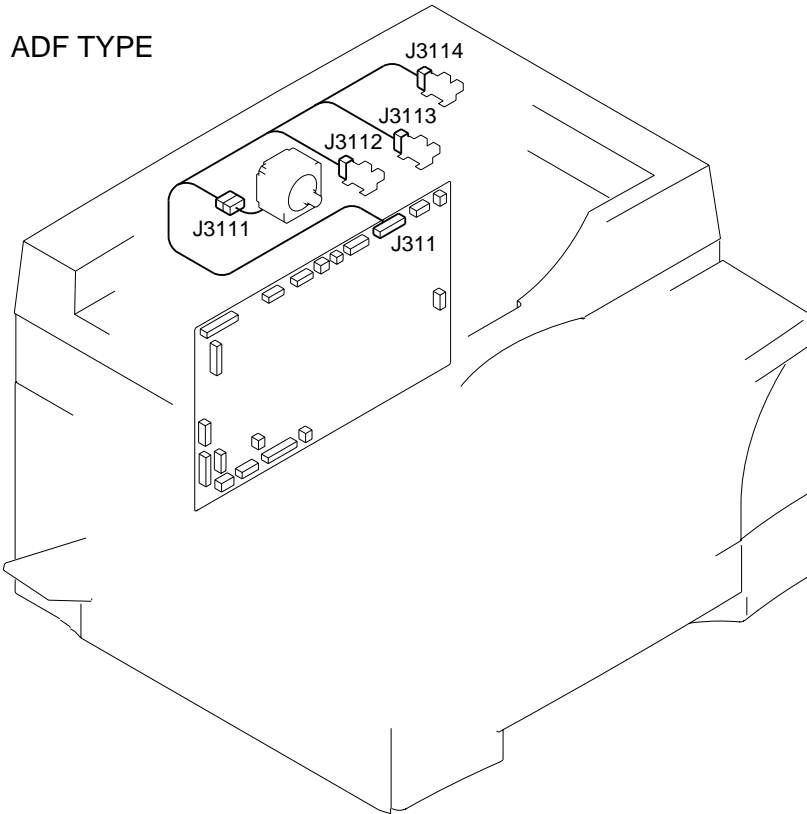
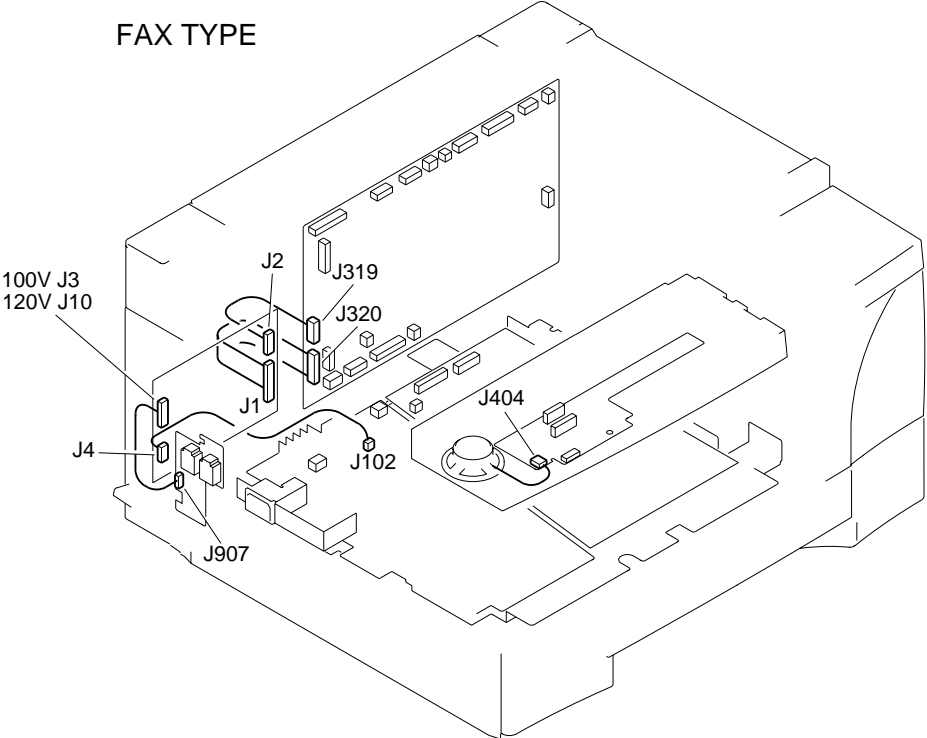


FIGURE B LIST OF CONNECTORS(4/4)

FAX TYPE



PRINTER TYPE

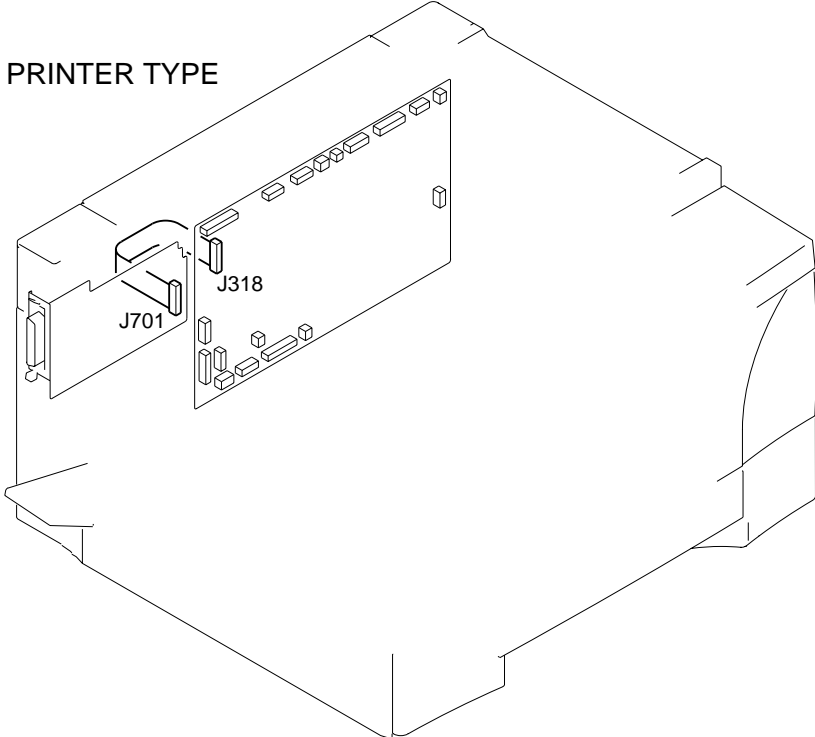


FIGURE & KEY NO.	PART NUMBER	RANK	QTY	DESCRIPTION	SERIAL NUMBER / REMARKS
B -	NPN		RF	LIST OF CONNECTORS	
J 1	PCB			NCU BOARD	FAX TYPE
	FH2 - 6936 - 000		1	CABLE, FLAT	FAX TYPE
J 2	PCB			NCU BOARD	FAX TYPE
	VS3 - 5080 - 006		1	CONNECTOR, 6P, FEMALE	FAX TYPE
	WT1 - 5155 - 000		6	TERMINAL	FAX TYPE
J 3	PCB			NCU BOARD	FAX TYPE 100V
	VS3 - 5080 - 007		1	CONNECTOR, 7P, FEMALE	FAX TYPE 100V
	WT1 - 5155 - 000		4	TERMINAL	FAX TYPE 100V
J 4	PCB			NCU BOARD	FAX TYPE
	VS3 - 5080 - 002		1	CONNECTOR, 2P, MALE	FAX TYPE
	WT1 - 5155 - 000		2	TERMINAL	FAX TYPE
J 10	PCB			NCU BOARD	FAX TYPE 120V
	VS3 - 5080 - 005		1	CONNECTOR, 5P, MALE	FAX TYPE 120V
	WT1 - 5155 - 000		4	TERMINAL	FAX TYPE 120V
J 102	PCB			DC POWER SUPPLY	FAX TYPE
	VS3 - 5080 - 002		1	CONNECTOR, 2P, MALE	FAX TYPE
	WT1 - 5155 - 000		2	TERMINAL	FAX TYPE
J 103	PCB			DC POWER SUPPLY	
	VS1 - 5824 - 004		1	CONNECTOR, 4P, FEMALE	
J 104	PCB			DC POWER SUPPLY	
	WS3 - 5358 - 000		4	SOCKET CONTACT, 22-26AWG	
	VS1 - 6314 - 008		1	CONNECTOR, 8P, FEMALE	
J 105	PCB			DC POWER SUPPLY	
	VS1 - 0842 - 004		1	CONNECTOR, 4P, FEMALE	
J 106	PCB			DC POWER SUPPLY	
	VS1 - 6314 - 010		1	CONNECTOR, 10P, FEMALE	
J 107	PCB			DC POWER SUPPLY	
	VS3 - 5118 - 003		1	CONNECTOR, 3P, FEMALE	
	WS3 - 1226 - 000		2	SOCKET CONTACT	

FIGURE & KEY NO.	PART NUMBER	RANK	QTY	DESCRIPTION	SERIAL NUMBER / REMARKS
B - J 1 0 8	PCB			DC POWER SUPPLY	
	VS1 - 6314 - 009		1	CONNECTOR, 9P, FEMALE	
J 1 0 9	PCB			DC POWER SUPPLY	
	VS1 - 0842 - 003		1	CONNECTOR, 3P, FEMALE	
J 2 0 1	PCB			DC CONTROLLER	
	VS1 - 0842 - 003		1	CONNECTOR, 3P, FEMALE	
J 2 0 2	PCB			DC CONTROLLER	
	VS1 - 6314 - 010		1	CONNECTOR, 10P, FEMALE	
J 2 0 3	PCB			DC CONTROLLER	
	VS1 - 6314 - 009		1	CONNECTOR, 9P, FEMALE	
J 2 0 4	PCB			DC CONTROLLER	
	FH2 - 6933 - 000		1	CABLE, FLAT	
J 2 1 0	PCB			DC CONTROLLER	
	VS1 - 6321 - 011		1	CONNECTOR, 11P, FEMALE	
J 3 0 1	PCB			IMAGE PROCESSOR	
	VS1 - 5824 - 004		1	CONNECTOR, 4P, FEMALE	
	WS3 - 5358 - 000		4	SOCKET CONTACT, 22-26AWG	
J 3 0 2	PCB			IMAGE PROCESSOR	
	VS1 - 6314 - 008		1	CONNECTOR, 8P, FEMALE	
J 3 0 3	PCB			IMAGE PROCESSOR	
J 3 0 4	PCB			IMAGE PROCESSOR	
	FH2 - 6933 - 000		1	CABLE, FLAT	
	VS1 - 0842 - 003		1	CONNECTOR, 3P, FEMALE	
J 3 0 5	PCB			IMAGE PROCESSOR	COUNTER TYPE
	VS1 - 0842 - 002		1	CONNECTOR, 2P, FEMALE	COUNTER TYPE
J 3 0 7	PCB			IMAGE PROCESSOR	
	NPN			CASSETTE PICK-UP SOLENOID	SL2
J 3 0 8	PCB			IMAGE PROCESSOR	
	VS1 - 6314 - 003		1	CONNECTOR, 3P, FEMALE	
J 3 0 9	PCB			IMAGE PROCESSOR	

FIGURE & KEY NO.	PART NUMBER	RANK	QTY	DESCRIPTION	SERIAL NUMBER / REMARKS
B - J 3 0 9	NPN			MANUAL FEED PICK-UP SOLENOID	SL1
J 3 1 0	PCB			IMAGE PROCESSOR	
	VS1 - 6314 - 004		1	CONNECTOR, 4P, FEMALE	
J 3 1 1	PCB			IMAGE PROCESSOR	ADF TYPE
	VS1 - 6757 - 015		1	CONNECTOR, 15P, FEMALE	ADF TYPE
	WS3 - 5721 - 000		15	SOCKET CONTACT	ADF TYPE
J 3 1 2	PCB			IMAGE PROCESSOR	
	VS1 - 6314 - 010		1	CONNECTOR, 10P, FEMALE	
J 3 1 4	PCB			IMAGE PROCESSOR	
	VS1 - 6302 - 003		1	CONNECTOR, 3P, FEMALE	
	WS3 - 5569 - 000		2	SOCKET CONTACT, 22-28AWG	
J 3 1 5	PCB			IMAGE PROCESSOR	
	FH2 - 6932 - 000		1	CABLE, FLAT	
J 3 1 6	PCB			IMAGE PROCESSOR	
	FH2 - 6934 - 000		1	CABLE, FLAT	
J 3 1 7	PCB			IMAGE PROCESSOR	
	FH2 - 6930 - 000		1	CABLE, FLAT	
J 3 1 8	PCB			IMAGE PROCESSOR	PRINTER TYPE
	FH2 - 6937 - 000		1	CABLE, FLAT	PRINTER TYPE
J 3 1 9	PCB			IMAGE PROCESSOR	FAX TYPE
	VS3 - 5080 - 006		1	CONNECTOR, 6P, FEMALE	FAX TYPE
	WT1 - 5155 - 000		6	TERMINAL	FAX TYPE
J 3 2 0	PCB			IMAGE PROCESSOR	FAX TYPE
	FH2 - 6936 - 000		1	CABLE, FLAT	FAX TYPE
J 4 0 1	PCB			CONTROL PANEL	
J 4 0 2	PCB			CONTROL PANEL	
	NPN			LCD PANEL	
J 4 0 3	PCB			CONTROL PANEL	
	NPN			MEMBRANE SWITCH	

FIGURE & KEY NO.	PART NUMBER	RANK	QTY	DESCRIPTION	SERIAL NUMBER / REMARKS
B - J 4 0 4	PCB			CONTROL PANEL	FAX TYPE
	NPN			SPEAKER	FAX TYPE SP1
J 5 0 1	PCB			ANALOG PROCESSOR	
	FH2 - 6930 - 000		1	CABLE, FLAT	
J 5 0 2	PCB			ANALOG PROCESSOR	
	FH2 - 6931 - 000		1	CABLE, FLAT	
J 5 0 3	PCB			ANALOG PROCESSOR	
	FH2 - 6929 - 000		1	CABLE, FLAT	
J 5 0 4	NPN			CONTACT SENSOR	
	FH2 - 6929 - 000		1	CABLE, FLAT	
J 6 0 1	PCB			READER SENSOR	
	FH2 - 6931 - 000		1	CABLE, FLAT	
J 7 0 1	PCB			PRINTER CONTROLLER	PRINTER TYPE
	FH2 - 6937 - 000		1	CABLE, FLAT	PRINTER TYPE
J 8 0 1	NPN			LASER UNIT	
J 9 0 7	FH2 - 6934 - 000		1	CABLE, FLAT	
	PCB			MODULAR BOARD	FAX TYPE
	VS3 - 5106 - 007		1	CONNECTOR, 7P, MALE	FAX TYPE 100V
	VS3 - 5106 - 005		1	CONNECTOR, 5P, MALE	FAX TYPE 120V
	WS3 - 5261 - 000		4	PIN CONTACT	FAX TYPE
J 1 0 5 1	NPN			DELIVERY SENSOR	PS3
	VS1 - 0842 - 003		1	CONNECTOR, 3P, FEMALE	
J 1 0 7 1	NPN			FIXING HEATER	H1
	RH2 - 5407 - 000		2	PIN CONTACT	
	RH2 - 5430 - 000		1	CONNECTOR, 2P, MALE	
J 1 1 0 1	VS1 - 0842 - 003		2	CONNECTOR, 3P, FEMALE	
	VS1 - 5057 - 003		1	CONNECTOR, SNAP TIGHT	
J 1 1 0 2	NPN			THERMISTOR	TH1,TH2
	VS1 - 0842 - 004		1	CONNECTOR, 4P, FEMALE	
	VS1 - 5057 - 004		1	CONNECTOR, SNAP TIGHT	

FIGURE & KEY NO.	PART NUMBER	RANK	QTY	DESCRIPTION	SERIAL NUMBER / REMARKS
B - J 2 1 0 1	SYS			FOR FACTORY	
	VS1 - 5057 - 011		1	CONNECTOR, SNAP TIGHT	
	VS1 - 6321 - 011		1	CONNECTOR, 11P, FEMALE	
J 3 0 5 1	NPN			COUNTER	COUNTER TYPE CNT1
	VS1 - 0842 - 002		1	CONNECTOR, 2P, FEMALE	COUNTER TYPE
J 3 0 8 1	NPN			MANUAL FEED TRAY PAPER SENSOR	PS4
	VS1 - 6321 - 003		1	CONNECTOR, 3P, FEMALE	
J 3 1 0 2	VS1 - 5057 - 004		1	CONNECTOR, SNAP TIGHT	
	VS1 - 5824 - 004		1	CONNECTOR, 4P, FEMALE	
	VS1 - 6321 - 004		1	CONNECTOR, 4P, FEMALE	
J 3 1 1 1	WS3 - 5358 - 000		4	SOCKET CONTACT, 22-26AWG	
	NPN			ADF MOTOR	ADF TYPE M3
	VS1 - 5057 - 006		1	CONNECTOR, SNAP TIGHT	ADF TYPE
	VS1 - 5824 - 006		1	CONNECTOR, 6P, FEMALE	ADF TYPE
	WS3 - 5358 - 000		6	SOCKET CONTACT, 22-26AWG	ADF TYPE
J 3 1 1 2	NPN			ORIGINAL SENSOR	ADF TYPE PS6
	VS1 - 6094 - 003		1	CONNECTOR, 3P, FEMALE	ADF TYPE
	WS3 - 5358 - 000		3	SOCKET CONTACT, 22-26AWG	ADF TYPE
J 3 1 1 3	NPN			REGISTRATION SENSOR	ADF TYPE PS7
	VS1 - 5824 - 003		1	CONNECTOR, 3P, FEMALE	ADF TYPE
J 3 1 1 4	WS3 - 5358 - 000		3	SOCKET CONTACT, 22-26AWG	ADF TYPE
	NPN			ORIGINAL DELIVERY SENSOR	ADF TYPE PS8
	VS1 - 5824 - 003		1	CONNECTOR, 3P, FEMALE	ADF TYPE
	WS3 - 5358 - 000		3	SOCKET CONTACT, 22-26AWG	ADF TYPE
J 3 1 2 1	VS1 - 0842 - 004		1	CONNECTOR, 4P, FEMALE	
J 3 1 2 2	VS1 - 5057 - 004		1	CONNECTOR, SNAP TIGHT	
	VS1 - 6321 - 004		1	CONNECTOR, 4P, FEMALE	
	NPN			SCANNER MOTOR	M4
	VS1 - 6225 - 004		1	CONNECTOR, 4P, FEMALE	
J 3 1 2 3	NPN			MAIN MOTOR	M1

FIGURE & KEY NO.	PART NUMBER	RANK	QTY	DESCRIPTION	SERIAL NUMBER / REMARKS
B - J 3 1 2 3	VS1 - 6321 - 003		1	CONNECTOR, 3P, FEMALE	
J 3 1 2 4	NPN			FAN	FM1
	VS1 - 5057 - 003		1	CONNECTOR, SNAP TIGHT	
	VS1 - 6320 - 003		1	CONNECTOR, 3P, FEMALE	
J 3 1 2 6	NPN			READER MOTOR	M2
	VS3 - 0320 - 006		1	CONNECTOR, 6P, FEMALE	
	WS3 - 1309 - 000		4	SOCKET CONTACT, 28AWG	

D NUMERICAL INDEX

PART NUMBER	FIGURE & KEY NO.	PART NUMBER	FIGURE & KEY NO.	PART NUMBER	FIGURE & KEY NO.
FB2 - 5303 - 000	102 - 1	FB6 - 0158 - 000	330 - 7	FB6 - 0327 - 000	100 - 13
FB2 - 5502 - 000	103 - 1	FB6 - 0160 - 000	320 - 1	FB6 - 0328 - 000	300 - 19
FB2 - 9653 - 000	330 - 1	FB6 - 0163 - 000	102 - 4		301 - 8
FB3 - 3395 - 000	161 - 1	FB6 - 0164 - 000	102 - 5	FB6 - 0329 - 000	302 - 12
FB3 - 3396 - 000	161 - 2	FB6 - 0165 - 000	102 - 6	FB6 - 0330 - 000	160 - 1
FB4 - 9817 - 030	330 - 2 1 A	FB6 - 0166 - 000	330 - 8	FB6 - 0332 - 000	160 - 2
FB4 - 9819 - 000	330 - 2 1 B	FB6 - 0167 - 000	330 - 9	FB6 - 2285 - 000	130 - 3
FB4 - 9820 - 000	330 - 2 1 C	FB6 - 0168 - 000	330 - 10	FB6 - 2287 - 000	130 - 3
FB4 - 9847 - 000	330 - 2 1 D	FB6 - 0169 - 000	330 - 11	FB6 - 2288 - 000	130 - 3
FB5 - 0159 - 000	300 - 1	FB6 - 0171 - 000	210 - 1	FB6 - 2289 - 000	130 - 3
	301 - 1	FB6 - 0172 - 000	210 - 2	FB6 - 2298 - 000	130 - 13
FB5 - 0161 - 000	300 - 2	FB6 - 0173 - 000	210 - 3	FB6 - 2299 - 000	130 - 14
FB5 - 0162 - 000	301 - 2	FB6 - 0176 - 000	210 - 4	FB6 - 2300 - 000	100 - 14
FB5 - 0163 - 000	301 - 3	FB6 - 0177 - 000	210 - 5	FB6 - 2301 - 000	100 - 14
FB5 - 0164 - 000	301 - 4	FB6 - 0178 - 000	210 - 6	FB6 - 2302 - 000	320 - 2 A
FB5 - 0165 - 000	300 - 3	FB6 - 0179 - 000	103 - 8	FB6 - 2303 - 000	100 - 15
	300 - 4	FB6 - 0181 - 000	210 - 7	FB6 - 2304 - 000	100 - 16
FB5 - 0167 - 000	300 - 5	FB6 - 0182 - 000	210 - 8	FB6 - 2305 - 000	100 - 16
FB5 - 0168 - 000	300 - 6	FB6 - 0183 - 000	210 - 9	FB6 - 2306 - 000	100 - 18
FB5 - 0169 - 000	300 - 7	FB6 - 0184 - 000	210 - 10	FB6 - 2307 - 000	100 - 18
FB5 - 0170 - 000	300 - 8	FB6 - 0185 - 000	210 - 11	FB6 - 2310 - 000	130 - 1
FB5 - 0171 - 000	300 - 9	FB6 - 0186 - 000	210 - 12	FB6 - 2323 - 000	130 - 10
	300 - 10	FB6 - 0187 - 000	161 - 3	FB6 - 2325 - 000	130 - 9
FB5 - 0172 - 000	300 - 11	FB6 - 0189 - 000	210 - 13	FB6 - 2326 - 000	161 - 4
FB5 - 0173 - 000	300 - 12	FB6 - 0191 - 000	210 - 14	FB6 - 2327 - 000	161 - 5
	301 - 5	FB6 - 0197 - 000	210 - 15	FB6 - 2328 - 000	161 - 4
	302 - 1	FB6 - 0198 - 000	210 - 16	FB6 - 2329 - 000	161 - 5
FB5 - 0175 - 000	300 - 13	FB6 - 0199 - 000	210 - 17	FB6 - 2330 - 000	161 - 4
FB5 - 0176 - 000	300 - 14	FB6 - 0202 - 000	210 - 27 A	FB6 - 2331 - 000	161 - 5
FB5 - 0177 - 000	300 - 15	FB6 - 0203 - 000	210 - 27 B	FB6 - 4216 - 000	100 - 13
FB5 - 0178 - 000	300 - 2 0 A	FB6 - 0204 - 000	210 - 6	FB6 - 4217 - 000	100 - 13
	300 - 2 1 A	FB6 - 0208 - 000	210 - 18	FB6 - 4218 - 000	100 - 13
FB5 - 0180 - 000	300 - 16	FB6 - 0209 - 000	210 - 19	FB6 - 4219 - 000	100 - 13
FB5 - 0181 - 000	300 - 17	FB6 - 0210 - 000	210 - 20	FB6 - 4220 - 000	100 - 13
FB5 - 0218 - 000	302 - 2	FB6 - 0211 - 000	210 - 21	FB6 - 4221 - 000	100 - 13
FB5 - 0219 - 000	302 - 3	FB6 - 0212 - 000	210 - 22	FB6 - 4226 - 000	100 - 13
FB5 - 0220 - 000	302 - 4	FB6 - 0214 - 000	220 - 1	FB6 - 4231 - 000	100 - 17
FB5 - 0221 - 000	302 - 5	FB6 - 0215 - 000	220 - 2	FB6 - 4232 - 000	100 - 17
FB5 - 0222 - 000	302 - 6	FB6 - 0216 - 000	220 - 3	FB6 - 4233 - 000	100 - 17
FB5 - 0229 - 000	302 - 7	FB6 - 0219 - 000	220 - 4	FB6 - 4234 - 000	100 - 17
FB5 - 0230 - 000	302 - 8	FB6 - 0224 - 000	210 - 23	FB6 - 4237 - 000	160 - 3
FB5 - 0231 - 000	302 - 9	FB6 - 0229 - 000	210 - 24	FC5 - 0002 - 000	161 - 6
FB5 - 0232 - 000	302 - 10	FB6 - 0233 - 000	220 - 5	FC5 - 0003 - 000	161 - 7
FB5 - 0234 - 000	302 - 11	FB6 - 0234 - 000	103 - 9	FC5 - 0004 - 000	161 - 8
FB5 - 2843 - 000	301 - 6	FB6 - 0235 - 000	220 - 6	FC5 - 0005 - 000	161 - 9
FB5 - 2844 - 000	301 - 7	FB6 - 0237 - 000	210 - 25	FC5 - 0006 - 000	161 - 10
FB6 - 0074 - 000	101 - 1	FB6 - 0240 - 000	330 - 12	FC5 - 0007 - 000	161 - 11
FB6 - 0075 - 000	103 - 2	FB6 - 0241 - 000	330 - 13	FC5 - 0009 - 000	161 - 12
FB6 - 0076 - 000	103 - 3	FB6 - 0242 - 000	100 - 8	FC5 - 0010 - 000	161 - 13
FB6 - 0077 - 000	102 - 2	FB6 - 0243 - 000	100 - 9	FC5 - 0011 - 000	161 - 14
FB6 - 0079 - 000	330 - 2	FB6 - 0245 - 000	330 - 14	FC5 - 0013 - 000	161 - 15
FB6 - 0080 - 000	330 - 3	FB6 - 0248 - 000	330 - 15	FC5 - 0014 - 000	161 - 16
FB6 - 0081 - 000	330 - 4	FB6 - 0249 - 000	101 - 2	FC5 - 0018 - 000	161 - 17
FB6 - 0082 - 000	330 - 5	FB6 - 0250 - 000	100 - 10	FC5 - 0019 - 000	161 - 18
FB6 - 0085 - 000	100 - 1	FB6 - 0251 - 000	101 - 3	FC5 - 0020 - 000	161 - 19
FB6 - 0086 - 000	102 - 3	FB6 - 0252 - 000	103 - 10	FC5 - 0021 - 000	161 - 20
FB6 - 0093 - 000	103 - 4	FB6 - 0253 - 000	103 - 11	FC5 - 0022 - 000	161 - 21
FB6 - 0094 - 000	103 - 5	FB6 - 0256 - 000	103 - 12	FC5 - 0023 - 000	161 - 22
FB6 - 0101 - 000	103 - 6	FB6 - 0260 - 000	330 - 16	FC5 - 0024 - 000	161 - 23
FB6 - 0104 - 000	250 - 1	FB6 - 0261 - 000	330 - 17	FC5 - 0025 - 000	161 - 24
FB6 - 0114 - 000	810 - 1	FB6 - 0263 - 000	300 - 18	FC5 - 0026 - 000	161 - 25
FB6 - 0115 - 000	810 - 2	FB6 - 0265 - 000	101 - 4	FC5 - 0027 - 000	161 - 26
FB6 - 0116 - 000	810 - 3	FB6 - 0268 - 000	101 - 5	FC5 - 0028 - 000	161 - 27
FB6 - 0121 - 000	810 - 4	FB6 - 0269 - 000	101 - 6	FC5 - 0029 - 000	161 - 28
FB6 - 0122 - 000	810 - 5	FB6 - 0274 - 000	330 - 18	FC5 - 0034 - 000	161 - 29
FB6 - 0123 - 000	100 - 2	FB6 - 0276 - 000	102 - 7	FC5 - 0035 - 000	161 - 30
FB6 - 0124 - 000	100 - 3	FB6 - 0277 - 000	102 - 8	FC5 - 0036 - 000	161 - 31
FB6 - 0125 - 000	100 - 4	FB6 - 0278 - 000	102 - 9	FC5 - 0037 - 000	161 - 32
FB6 - 0126 - 000	100 - 5	FB6 - 0279 - 000	100 - 11	FC5 - 0038 - 000	161 - 33
FB6 - 0127 - 000	100 - 6	FB6 - 0283 - 000	100 - 15	FC5 - 0039 - 000	161 - 34
FB6 - 0128 - 000	100 - 7	FB6 - 0289 - 000	102 - 10	FC5 - 0042 - 000	161 - 43 A
FB6 - 0132 - 000	130 - 1	FB6 - 0290 - 000	930 - 1	FC5 - 0044 - 000	161 - 43 B
FB6 - 0133 - 000	130 - 2	FB6 - 0291 - 000	101 - 7	FC5 - 0047 - 000	161 - 35
FB6 - 0136 - 000	130 - 3	FB6 - 0292 - 000	930 - 2	FC5 - 0052 - 000	161 - 36
FB6 - 0137 - 000	130 - 4	FB6 - 0293 - 000	930 - 3	FC5 - 0054 - 000	161 - 37
FB6 - 0138 - 000	130 - 5	FB6 - 0295 - 000	930 - 4	FC5 - 0057 - 000	161 - 38
FB6 - 0139 - 000	130 - 6	FB6 - 0296 - 000	330 - 19	FC5 - 0060 - 000	161 - 42 A
FB6 - 0140 - 000	130 - 7	FB6 - 0297 - 000	330 - 20	FC5 - 0061 - 000	161 - 44 A
FB6 - 0141 - 000	130 - 8	FB6 - 0303 - 000	102 - 10	FC5 - 0063 - 000	161 - 42 B
FB6 - 0142 - 000	130 - 9	FB6 - 0304 - 000	103 - 13	FC5 - 0064 - 000	161 - 42 C
FB6 - 0143 - 000	130 - 10	FB6 - 0307 - 000	102 - 11	FC5 - 0065 - 000	240 - 1
FB6 - 0144 - 000	130 - 11	FB6 - 0314 - 000	101 - 8 A	FC5 - 0066 - 000	161 - 39
FB6 - 0145 - 000	130 - 12	FB6 - 0321 - 000	250 - 2	FF5 - 9034 - 000	300 - 20
FB6 - 0147 - 000	103 - 7	FB6 - 0323 - 000	100 - 12	FF5 - 9035 - 000	300 - 21
FB6 - 0157 - 000	330 - 6	FB6 - 0324 - 000	210 - 26	FF5 - 9073 - 000	302 - 13

D NUMERICAL INDEX

PART NUMBER	FIGURE & KEY NO.	PART NUMBER	FIGURE & KEY NO.	PART NUMBER	FIGURE & KEY NO.
FF5 - 9074 - 000	302 - 14	FH2 - 6934 - 000	B - J 3 1 6	FU5 - 3007 - 000	161 - 7 0
FF6 - 1435 - 000	210 - 2 7		B - J 8 0 1	FU5 - 6001 - 000	161 - 7 1
FF6 - 1437 - 000	810 - 6	FH2 - 6936 - 000	103 - 2 3	FU5 - 6002 - 000	161 - 7 2
FF6 - 1441 - 000	320 - 2		B - J 1	FU5 - 6003 - 000	161 - 7 3
FF6 - 1448 - 000	102 - 1 2		B - J 3 2 0	HB1 - 3023 - 000	130 - 1 9
FF6 - 1449 - 000	102 - 1 3	FH2 - 6937 - 000	103 - 2 4	HG1 - 4365 - 000	103 - 2 8
FG3 - 2279 - 000	103 - 1 4		B - J 3 1 8	HG5 - 1866 - 000	103 - 2 8
FG6 - 7923 - 000	250 -		B - J 7 0 1	HH2 - 2824 - 000	103 - 2 9
FG6 - 7924 - 000	250 - 3	FH3 - 2638 - 000	930 - 1 5	RB2 - 2831 - 020	102 - 1 7
FG6 - 7925 - 000	460 -	FH3 - 2639 - 000	930 - 1 5	RB2 - 2832 - 000	330 - 2 7
FG6 - 7926 - 000	320 -	FH3 - 2643 - 000	930 - 1 5	RB2 - 2837 - 000	103 - 3 0
FG6 - 7933 - 000	220 -	FH5 - 3221 - 000	130 - 1 6	RB2 - 2843 - 000	330 - 2 8
FG6 - 7934 - 000	810 -	FH6 - 0812 - 000	130 - 1 7	RB2 - 2883 - 000	101 - 1 8 A
FG6 - 7937 - 000	810 - 7	FH6 - 0813 - 000	130 - 1 7	RB2 - 2884 - 000	101 - 1 8 B
FG6 - 7938 - 000	130 -	FH6 - 1921 - 000	102 - 1 5	RB2 - 2885 - 000	101 - 1 8 C
FG6 - 7944 - 000	160 -	FH6 - 1922 - 000	220 - 8	RB2 - 2900 - 000	101 - 8 B
FG6 - 7945 - 000	810 -	FH6 - 1923 - 000	250 - 5	RB2 - 2901 - 000	101 - 8 C
FG6 - 7946 - 000	810 - 7	FH6 - 5037 - 000	330 - 2 2	RB2 - 2902 - 000	101 - 8 D
FG6 - 7947 - 000	810 -	FH6 - 5038 - 000	103 - 2 5	RB2 - 2903 - 000	101 - 8 E
FG6 - 7948 - 000	810 - 7	FH7 - 6337 - 000	130 - 1 8	RB2 - 2908 - 000	320 - 4
FG6 - 7953 - 000	101 - 8	FH7 - 7565 - 000	210 - 3 4	RB2 - 2909 - 000	320 - 5
FG6 - 7954 - 000	330 - 2 1	FL2 - 0004 - 000	161 - 4 1	RB2 - 2910 - 000	320 - 6
FG6 - 7957 - 000	130 -	FL2 - 0005 - 000	161 - 4 2	RB2 - 2911 - 000	320 - 7
FG6 - 7958 - 000	130 -	FL2 - 0006 - 000	161 - 4 3	RB2 - 2912 - 000	320 - 8
FG6 - 7959 - 000	130 -	FL2 - 0007 - 000	161 - 4 4	RB2 - 2913 - 000	320 - 9
FG6 - 7961 - 000	130 -	FL2 - 0008 - 000	161 - 4 5	RB2 - 2918 - 000	320 - 1 0
FG6 - 8547 - 000	930 - 5	FM2 - 0004 - 000	240 -	RB2 - 2919 - 000	320 - 1 1
FG6 - 8548 - 000	930 - 6	FM2 - 0015 - 000	161 - 4 6	RB2 - 2920 - 000	320 - 1 2
FG6 - 8549 - 000	103 - 1 5	FS1 - 1512 - 000	161 - 4 7	RB2 - 2921 - 000	320 - 1 3
FG6 - 8550 - 000	220 - 7	FS1 - 1569 - 000	161 - 4 8	RB2 - 2922 - 000	320 - 1 4
FG6 - 8800 - 000	210 - 2 8	FS2 - 3511 - 000	161 - 4 9	RB2 - 2923 - 000	320 - 2 B
FG6 - 8801 - 000	210 - 2 9	FS2 - 9478 - 000	220 - 9	RB2 - 2925 - 020	330 - 3 1 A
FG6 - 8802 - 000	930 - 7	FS5 - 9739 - 000	220 - 1 0	RB2 - 2926 - 020	330 - 2 9
FG6 - 8804 - 000	130 - 1 5	FS5 - 9740 - 000	161 - 5 0	RB2 - 2933 - 000	320 - 1 5
FG6 - 8805 - 000	130 - 1 5		210 - 3 5	RB2 - 2935 - 000	250 - 9
FG6 - 8807 - 000	950 -	FS7 - 0457 - 000	300 - 2 2	RB2 - 2936 - 000	250 - 1 0
FG6 - 8811 - 000	950 -	FS7 - 2201 - 000	300 - 2 3	RB2 - 2943 - 000	250 - 1 1
FG6 - 8812 - 000	950 -		301 - 9	RB2 - 2947 - 000	250 - 1 2
FG6 - 8813 - 000	950 -	FS7 - 2202 - 000	300 - 2 4	RB2 - 2948 - 000	250 - 1 3
FG6 - 8815 - 000	950 -		301 - 1 0	RB2 - 2949 - 000	250 - 1 4
FG6 - 8816 - 000	950 -	FS7 - 2211 - 000	302 - 1 5	RB2 - 2950 - 000	250 - 1 5
FG6 - 8818 - 000	950 -	FS7 - 2687 - 000	210 - 3 6	RB2 - 2973 - 000	810 - 1 0
FG6 - 8820 - 000	950 -	FS7 - 2689 - 000	330 - 2 3	RB2 - 2975 - 000	810 - 1 1
FG6 - 8821 - 000	950 -	FS7 - 2690 - 000	330 - 2 4	RB2 - 2977 - 000	810 - 1 2
FG6 - 8822 - 000	950 -	FS7 - 2691 - 000	100 - 2 0	RB2 - 2978 - 000	810 - 1 3
FG6 - 8828 - 000	103 - 1 6	FS7 - 2692 - 000	100 - 2 1	RB2 - 2985 - 000	810 - 1 4
FG6 - 8829 - 000	103 - 1 6	FS7 - 2693 - 000	100 - 2 2	RB2 - 2986 - 000	810 - 1 5
FG6 - 8832 - 000	930 - 8	FS7 - 2694 - 000	102 - 1 6	RB2 - 3036 - 000	101 - 1 1
FG6 - 8833 - 000	930 - 9	FS7 - 2695 - 000	103 - 2 6	RB2 - 3037 - 000	101 - 1 2
FG6 - 8834 - 000	250 - 4	FS7 - 2696 - 000	103 - 2 7	RB2 - 3041 - 020	101 - 1 3
FG6 - 8836 - 000	161 - 4 0	FS7 - 2697 - 000	101 - 9	RB2 - 3042 - 020	101 - 1 4
FG6 - 8837 - 000	103 - 1 7	FS7 - 2698 - 000	210 - 3 7	RB2 - 3043 - 000	101 - 1 5
FG6 - 8839 - 000	210 - 3 0	FS7 - 2700 - 000	810 - 9	RB2 - 3044 - 000	101 - 1 6
FG6 - 8840 - 000	103 - 1 5	FS7 - 2701 - 000	220 - 1 1	RB2 - 3045 - 000	330 - 3 0
FG6 - 8841 - 000	103 - 1 8	FU3 - 0068 - 000	250 - 6	RB2 - 3046 - 000	100 - 2 3
FG6 - 8842 - 000	103 - 1 9	FU3 - 0069 - 000	250 - 7	RB2 - 3084 - 000	101 - 1 8 D
FG6 - 8844 - 000	103 - 2 0	FU3 - 0070 - 000	250 - 8	RB2 - 6351 - 000	810 - 1 6
FG6 - 8845 - 000	103 - 2 1	FU3 - 0071 - 000	320 - 3	RB2 - 6357 - 000	810 - 1 7
FG6 - 8846 - 000	103 - 1 6 A	FU3 - 0072 - 000	101 - 1 0	RF5 - 2601 - 020	810 - 1 8
FG6 - 8847 - 000	103 - 1 6 A	FU3 - 0073 - 000	330 - 2 5	RF5 - 2603 - 000	810 - 1 9
FG6 - 8849 - 000	810 - 8	FU3 - 0074 - 000	330 - 2 6	RF5 - 3272 - 000	101 - 1 7
FG6 - 9097 - 000	950 - 1	FU3 - 0075 - 000	220 - 1 2	RG5 - 4130 - 000	330 - 3 1
FG6 - 9098 - 000	950 - 1	FU3 - 0076 - 000	220 - 1 3	RG5 - 5576 - 000	101 - 1 8
FG6 - 9099 - 000	950 - 1	FU3 - 0107 - 000	220 - 1 4	RG9 - 1473 - 000	250 - 1 6
FH2 - 5288 - 000	100 - 1 9	FU5 - 0001 - 000	161 - 5 1	RH2 - 5407 - 000	B - J 1 0 7 1
FH2 - 5761 - 020	930 - 1 0		161 - 5 2	RH2 - 5430 - 000	B - J 1 0 7 1
FH2 - 5762 - 000	930 - 1 1	FU5 - 0002 - 000	161 - 5 3	RS6 - 0442 - 000	810 - 2 0
FH2 - 6577 - 000	930 - 1 2		240 - 2	RS6 - 0443 - 000	810 - 2 1
FH2 - 6578 - 000	930 - 1 3	FU5 - 1001 - 000	161 - 5 4	RS6 - 0446 - 000	250 - 1 7
FH2 - 6929 - 000	210 - 3 1	FU5 - 1002 - 000	161 - 5 5	RS6 - 0447 - 000	250 - 1 8
	B - J 5 0 3	FU5 - 2001 - 000	161 - 5 6	RS6 - 0448 - 000	250 - 1 9
	B - J 5 0 4	FU5 - 2002 - 000	161 - 5 7	RS6 - 0449 - 000	250 - 2 0
FH2 - 6930 - 000	210 - 3 2	FU5 - 2003 - 000	161 - 5 8	RS6 - 0450 - 000	250 - 2 1
	B - J 3 1 7	FU5 - 2004 - 000	161 - 5 9	RS6 - 0458 - 000	810 - 2 2
	B - J 5 0 1	FU5 - 2005 - 000	161 - 6 0	RS6 - 0459 - 000	330 - 3 1 B
FH2 - 6931 - 000	210 - 3 3	FU5 - 2006 - 000	161 - 6 1	RS6 - 2022 - 000	330 - 3 2
	B - J 5 0 2	FU5 - 2007 - 000	161 - 6 2	RS6 - 2026 - 000	320 - 1 6
	B - J 6 0 1	FU5 - 2008 - 000	161 - 6 3	RS6 - 2027 - 020	250 - 2 2
FH2 - 6932 - 000	103 - 2 2	FU5 - 2009 - 000	161 - 6 4	RS6 - 2029 - 000	810 - 2 3
	B - J 3 1 5	FU5 - 2010 - 000	161 - 6 5	RS6 - 2030 - 000	101 - 1 9
	B - J 4 0 1	FU5 - 3001 - 000	161 - 6 6	RS6 - 2031 - 000	250 - 2 3
FH2 - 6933 - 000	930 - 1 4	FU5 - 3002 - 000	161 - 6 7	RS6 - 8382 - 000	460 - 1
	B - J 2 0 4	FU5 - 3003 - 000	161 - 6 8	VS1 - 0842 - 002	B - J 3 0 5
	B - J 3 0 3	FU5 - 3004 - 000	240 - 3		B - J 3 0 5 1
FH2 - 6934 - 000	102 - 1 4	FU5 - 3006 - 000	161 - 6 9		B - J 1 0 9

D NUMERICAL INDEX

PART NUMBER	FIGURE & KEY NO.	PART NUMBER	FIGURE & KEY NO.	PART NUMBER	FIGURE & KEY NO.
VS1 - 0842 - 003	B - J 2 0 1 B - J 3 0 4 B - J 1 0 5 1 B - J 1 1 0 1	WT1 - 5155 - 000 WT2 - 5565 - 000	B - J 3 1 9 161 - 4 0 B 210 - 3 0 B		
VS1 - 0842 - 004	B - J 1 1 0 1 B - J 1 0 5 B - J 1 1 0 2 B - J 3 1 2 1	X71 - 7503 - 000	300 - 2 5 300 - 2 6 161 - 7 6		
VS1 - 5057 - 003	250 - 4 A 930 - 5 A B - J 1 1 0 1 B - J 3 1 2 4	XA9 - 0265 - 000 XA9 - 0813 - 000 XA9 - 0836 - 000 XA9 - 0903 - 000 XA9 - 0924 - 000 XA9 - 0931 - 000	102 - 1 8 810 - 2 5 302 - 1 6 810 - 2 6 100 - 2 4 102 - 1 9		
VS1 - 5057 - 004	101 - 2 0 210 - 3 0 A 930 - 6 A B - J 1 1 0 2 B - J 3 1 0 2 B - J 3 1 2 1	XA9 - 0976 - 000 XA9 - 1164 - 000	102 - 2 0 103 - 3 4 250 - 2 4 930 - 1 6		
VS1 - 5057 - 006	161 - 4 0 A B - J 3 1 1 1	XB1 - 1300 - 807 XB1 - 2300 - 606 XB1 - 2300 - 607	103 - 5 0 1 161 - 5 0 1 103 - 5 0 2		
VS1 - 5057 - 011	930 - 8 A B - J 2 1 0 1		130 - 5 0 1 210 - 5 0 1 210 - 5 0 2		
VS1 - 5824 - 003	B - J 3 1 1 3 B - J 3 1 1 4		210 - 5 0 2 250 - 5 0 1 250 - 5 0 2		
VS1 - 5824 - 004	B - J 1 0 3 B - J 3 0 1 B - J 3 1 0 2 B - J 3 1 1 1	XB1 - 2300 - 809 XB1 - 2400 - 609 XB2 - 7300 - 407	302 - 5 0 1 161 - 5 0 2 103 - 5 0 3		
VS1 - 5824 - 006	B - J 3 1 1 2		240 - 5 0 1 250 - 5 0 3		
VS1 - 6094 - 003	B - J 3 1 1 2		101 - 5 0 1		
VS1 - 6225 - 004	B - J 3 1 2 2		102 - 5 0 1		
VS1 - 6302 - 003	B - J 3 1 4	XB3 - 6300 - 800	103 - 5 0 4 130 - 5 0 2		
VS1 - 6314 - 003	B - J 3 0 8	XB4 - 5300 - 809	161 - 5 0 3		
VS1 - 6314 - 004	B - J 3 1 0		161 - 5 0 4		
VS1 - 6314 - 008	B - J 1 0 4 B - J 3 0 2	XB4 - 5401 - 006	161 - 5 0 5 161 - 5 0 6		
VS1 - 6314 - 009	B - J 1 0 8 B - J 2 0 3		161 - 5 0 6		
VS1 - 6314 - 010	B - J 1 0 6 B - J 2 0 2 B - J 3 1 2	XB4 - 5401 - 007	101 - 5 0 2 101 - 5 0 3		
VS1 - 6320 - 003	B - J 3 1 2 4		210 - 5 0 3		
VS1 - 6321 - 003	B - J 3 0 8 1 B - J 3 1 2 3	XB4 - 7400 - 809	330 - 5 0 1 300 - 5 0 1		
VS1 - 6321 - 004	B - J 3 1 0 2 B - J 3 1 2 1		301 - 5 0 1 302 - 5 0 2		
VS1 - 6321 - 011	B - J 2 1 0 B - J 2 1 0 1 B - J 3 1 1	XB4 - 7401 - 009	101 - 5 0 4 101 - 5 0 5 103 - 5 0 5		
VS1 - 6757 - 015	B - J 3 1 2 6	XB4 - 7403 - 509	102 - 5 0 2		
VS3 - 0320 - 006	B - J 4	XB6 - 7300 - 607	220 - 5 0 1		
VS3 - 5080 - 002	B - J 1 0 2 B - J 1 0	XB6 - 7300 - 807	100 - 5 0 1 102 - 5 0 3		
VS3 - 5080 - 005	B - J 2		220 - 5 0 2		
VS3 - 5080 - 006	B - J 3 1 9 B - J 3	XD1 - 1104 - 131 XD1 - 1104 - 635 XD2 - 1100 - 242 XD2 - 1100 - 322	300 - 5 0 2 161 - 5 0 7 161 - 5 0 8 220 - 5 0 3		
VS3 - 5080 - 007	B - J 9 0 7 B - J 9 0 7	XD2 - 1100 - 402	161 - 5 0 9		
VS3 - 5106 - 005	B - J 9 0 7		161 - 5 1 0		
VS3 - 5106 - 007	B - J 1 0 7	XD2 - 1100 - 502	161 - 5 1 1		
VS3 - 5118 - 003	330 - 3 3 210 - 3 8		161 - 5 1 2 161 - 5 1 3 161 - 5 1 4		
WA1 - 6525 - 000	220 - 7 A		330 - 5 0 2		
WE8 - 5885 - 000	103 - 3 1 103 - 3 2	XD2 - 1100 - 642	161 - 5 1 5 240 - 5 0 2		
WE8 - 5941 - 000	103 - 3 1		300 - 5 0 3		
WE8 - 5947 - 000	103 - 3 2	XD2 - 1200 - 202 XD2 - 2300 - 302	330 - 5 0 3 101 - 5 0 6		
WG2 - 5190 - 000	103 - 3 3	XD3 - 1160 - 142 XD3 - 2200 - 082 XD3 - 2200 - 102	161 - 5 1 6 161 - 5 1 7 161 - 5 1 8		
WG8 - 5309 - 000	810 - 2 4 161 - 7 4 161 - 7 5		161 - 5 1 9 161 - 5 2 0		
WG8 - 5362 - 000	950 - BAT 1 950 - BAT 2	XD3 - 2200 - 122 XD9 - 0159 - 000	101 - 8 F		
WK1 - 5112 - 000	B - J 1 0 7	XF2 - 1605 - 240 XF2 - 1606 - 440	161 - 7 7 240 - 4		
WK1 - 5133 - 000	B - J 3 1 2 6 B - J 9 0 7	XF2 - 1611 - 240 XF9 - 0404 - 000 XF9 - 0525 - 000	161 - 7 8 161 - 7 9 161 - 8 0		
WS3 - 1226 - 000	B - J 1 0 3				
WS3 - 1309 - 000	B - J 3 0 1 B - J 3 1 0 2 B - J 3 1 1 1 B - J 3 1 1 2 B - J 3 1 1 3 B - J 3 1 1 4				
WS3 - 5261 - 000	B - J 3 1 4				
WS3 - 5358 - 000	B - J 3 1 1 B - J 2 B - J 3 B - J 4 B - J 1 0 B - J 1 0 2				

Prepared by
OFFICE IMAGING PRODUCTS QUALITY ASSURANCE CENTER

CANON INC.
Printed in Japan

REVISION 0 [SEPT 2001]

5-1, Hakusan 7-chome, Toride-city, Ibaraki 302-8501, Japan



This publication is
printed on 100%
recycled paper.

Canon